

*Schletter Solar Mounting Systems
Components overview 2011*



Contents		Page
1 Fastening elements	Roof hooks	3
	Fastening on corrugated roofs	9
	Standing seam clamps	11
	StandOff	14
	FixE / FixT	15
2 Module clamps	for framed modules	17
	for unframed modules	19
3 Standard profiles and accessories	Profile series 05	21
	Cable duct MaxK	24
4 System-specific components	Inlay system	25
	Plandach5	27
	FixZ-7	28
5 Flat roof systems	Supports and accessories	29
6 Special profiles	DN profile series	34
7 Big projects		36
8 Screws and accessories		38
9 Item numbers	Overview of changes	42

Our company is certified according to

DIN EN ISO 9001:2008

DIN EN ISO 3834 Part 2
Comprehensive quality requirements to the welding process

DIN EN 15085-2
Certification level CL1

DIN 6700-2 component class C2

Manufacturer qualification according to DIN 18800-7:2002-09 class E

Manufacturer's qualification according to DIN V 4113-3 class C aluminium

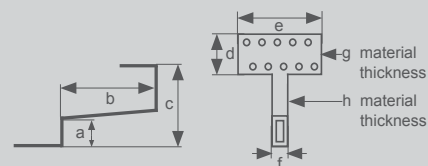


Roof hooks overview

Brochure

- all roof hooks are made of quality steel
- completely pre-assembled adjustable hooks

Wood screws, hexagon nuts (M10 x 25 mm/1 inch) and flange nuts have to be ordered seperately!



Dimensional drawing to the charts



Mounting sketch

Roof hooks for light snow loads and normal wind loads

VA-quality, welded, symmetric bar arrangement

100002-000

(400 872)

Roof hook Eco G

	a	b	c	d	e	f	g	h
mm	45	110	132	60	150	30	5	5
inches	1.77	4.33	5.20	2.36	5.91	1.18	0.20	0.20



100003-000

(400 872-V)

Roof hook Eco V (adjustable)

	a	b	c	d	e	f	g	h
mm	45	105	117-147	60	150	30	5	5
inches	1.77	4.13	4.61-5.79	2.36	5.91	1.18	0.20	0.20



Roof hooks for heavier snow loads and stronger wind loads

VA-quality, welded, symmetric bar arrangement

In different sizes for a better rear airing.

100004-000

(400 872-135)

Roof hook Eco S 135 (normal height 135mm)

	a	b	c	d	e	f	g	h
mm	45	110	135	60	150	35	5	6
inches	1.77	4.33	5.31	2.36	5.91	1.38	0.20	0.24



100004-001

Roof hook Eco S 135 KlickTop

KlickTop

100007-000

(400 872-165)

Roof hook Eco S 165 (special height 165mm)

	a	b	c	d	e	f	g	h
mm	45	110	165	60	150	35	5	6
inches	1.77	4.33	6.50	2.36	5.91	1.38	0.20	0.24



100008-000

(400 872-195)

Roof hook Eco S 195 (special height 195mm)

	a	b	c	d	e	f	g	h
mm	45	110	195	60	150	35	5	6
inches	1.77	4.33	7.68	2.36	5.91	1.38	0.20	0.24



100009-000

(400 876)

Roof hook Eco SV (extra stable, adjustable)

	a	b	c	d	e	f	g	h
mm	45	110	120-150	60	150	35	5	6
inches	1.77	4.33	4.72-5.91	2.36	5.91	1.38	0.20	0.24

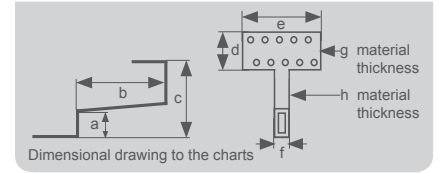


100009-001

Roof hook Eco SV KlickTop

KlickTop

Eco S special designs on the following page



Special designs of the roof hook Eco S 135

- 100004-002 **Roof hook Eco S 135 right-sided design** (bar arrangement on the right)
(400 872-R)
- 100006-000 **Roof hook Eco S 135 35 mm** (for low battens; a=35 mm / 1.38 inches)
(400 872-35)
- 100005-000 **Roof hook Eco S 135 bar 130** (for big tile sizes; b=130 mm / 5.12 inches)
(400 872-135-130)

Roof hooks for especially heavy snow loads

VA-quality, welded, symmetric bar arrangement

- 100010-000 **Roof hook VaMax**
(430 870)

	a	b	c	d	e	f	g	h
mm	45	120	145	80	180	35	6	8
inches	1.77	4.72	5.71	3.15	7.09	1.38	0.24	0.31

- 100010-001 **Roof hook VaMax KlickTop**



- 100011-000 **Roof hook VAMax adjustable**
(430 871)

	a	b	c	d	e	f	g	h
mm	45	120	125-165	80	180	35	6	8
inches	1.77	4.72	4.92-6.50	3.15	7.09	1.38	0.24	0.31

- 100011-001 **Roof hook VaMax KlickTop adjustable**



Roof hook Universal

VA-quality, variable bar arrangement;
Adjustable at the front and at the back;
The middle bar can be placed in 3 positions

- 100001-000 **Roof hook Universal** (Frankfurter pantile or interlocking tiles)
(400 830)

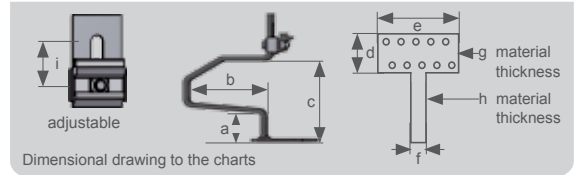
	a	b	c	d	e	f	g	h
mm	37-47	115	78-125	75	150	30	5	6
inches	1.46-1.85	4.53	3.07-4.92	2.95	5.91	1.18	0.20	0.24

- 100001-001 **Roof hook Universal KlickTop**



Rapid²⁺ roof hooks

VA-quality, welded,
symmetric bar arrangement,
pre-assembled



101001-000

(430 800)

Roof hook Rapid2+ 45

	a	b	c	d	e	f	g	h	i
mm	45	110	118	60	150	35	5	6	30
inches	1.77	4.33	4.65	2.36	5.91	1.38	0.20	0.24	1.18

Comparable to: Eco-S 100004-000, 100004-001, 100009-000



101001-001

(430 801)

Roof hook Rapid2+ 45V

Like 101001-000, but for vertical rail mounting

	a	b	c	d	e	f	g	h	i
mm	45	110	125	60	150	35	5	6	30
inches	1.77	4.33	4.92	2.36	5.91	1.38	0.20	0.24	1.18

Comparable to: Eco-S 100004-000, 100004-001, 100009-000



101002-000

(430 802)

Roof hook Rapid2+ 35

Like 101001-000, but 35 mm/1.38 inches bracket height for low battens

	a	b	c	d	e	f	g	h	i
mm	35	110	108	60	150	35	5	6	30
inches	1.38	4.33	4.25	2.36	5.91	1.38	0.20	0.24	1.18

Comparable to: Eco-S 100006-000



101003-000

(430 803)

Roof hook Rapid2+ 55

Like 101001-000, but 55 mm/2.17 inches bracket height for high battens
or big tile sizes

	a	b	c	d	e	f	g	h	i
mm	55	110	128	60	150	35	5	6	30
inches	2.17	4.33	5.04	2.36	5.91	1.38	0.20	0.24	1.18



101004-000

(430 804)

Roof hook Rapid2+ Universal

Universally adjustable, for vertical rail mounting

	a	b	c	d	e	f	g	h	i
mm	40-54	110	121	71	150	35	5	6	30
inches	1.57-2.13	4.33	4.76	2.80	5.91	1.38	0.20	0.24	1.18

Comparable to: Universal 100001-000



101005-000

(430 805)

Roof hook Rapid2+ Max

Like 101001-000, but with bar 35x8 mm/1.38x0.31 inches for heavy snow loads

	a	b	c	d	e	f	g	h	i
mm	45	120	125	80	180	35	6	8	30
inches	1.77	4.72	4.92	3.15	7.09	1.38	0.24	0.31	1.18

Comparable to: VaMax 100010-000, 100010-001, 100011-000, 100011-001



101006-000

(430 806)

Roof hook Rapid2+ MaxV

Like 101005-000, but for vertical rail mounting

	a	b	c	d	e	f	g	h	i
mm	45	120	125	80	180	35	6	8	30
inches	1.77	4.72	4.92	3.15	7.09	1.38	0.24	0.31	1.18

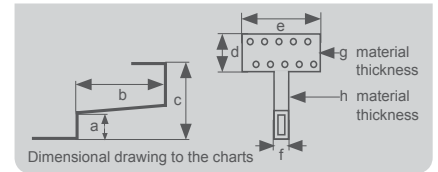
Comparable to: VaMax 100010-000, 100010-001, 100011-000, 100011-001



Special roof hooks Slate/Prefa

VA-quality, without plate

In case of slate roofs, the optimum kind of mounting is mainly determined by the roof covering! In certain circumstances, a mounting on hanger bolts is advantageous.



102001-000 Roof hook Slate Prefa (simple)

(400 840)

	Length	Height	Width	Thickness
mm	235	75	30	5
inches	9.25	2.95	1.18	0.20

102001-001 Roof hook Slate Prefa V (Vario)

(400 841)

	Length	Height	Width	Thickness
mm	235	60-90	30	5
inches	9.25	2.36-3.54	1.18	0.20



Roof hook "Biberschwanz" (plain tile)

VA-quality

Please check the roof hook design on the basis of the roof covering on site!

103001-001 Roof hook Biberschwanz (plain tile) simple

(400 850)

only for light snow loads!

	a	b	c	d	e	f	g	h
mm	45	255	125	60	30	30	5	5
inches	1.57	10.04	4.92	2.36	1.18	1.18	0.20	0.20

103001-002 Roof hook Biberschwanz (plain tile) Universal (adjustable)

(400 851)

	a	b	c	d	e	f	g	h
mm	40	240	107-137	75	150	30	5	6
inches	1.77	9.45	4.21-5.39	2.95	5.91	1.18	0.20	0.24

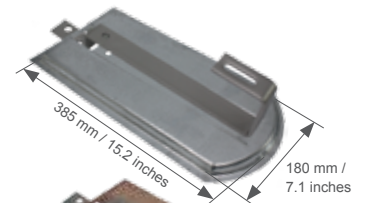


103011-000 Biberschwanz (plain tile) fastening kit galvanized (simple)

(400 852)

Galvanized Biberschwanz (plain tile) substitute plate with integrated VA-hook
Extra resistant to snow loads!

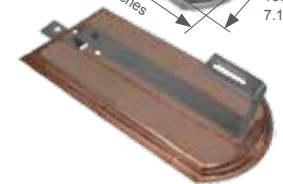
	a	b	c	d	e	f	g	h
mm	32	255	125	60	30	30	5	5
inches	1.26	10.04	4.92	2.36	1.18	1.18	0.20	0.20



103012-000 Biberschwanz (plain tile) copper fastening kit galvanized (simple)

(400 853)

Copper Biberschwanz (plain tile) substitute plate with integrated VA-hook



103011-001 Biberschwanz (plain tile) fastening kit Univ. galvanized (Universal)

(400 854)

Galvanized substitute plain tile with integrated VA-hooks and additional fixation plate (adjustable at the sides). The optimum kind of fixation! Extra resistant to snow loads and also absolutely safe in case of strong wind loads due to fixation to the rafter!

	a	b	c	d	e	f	g	h
mm	35	245	110	71	140	30	5	5
inches	1.38	9.65	4.33	2.80	5.51	1.18	0.20	0.20

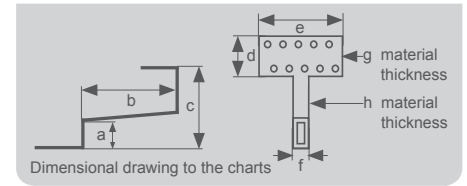


103012-001 Biberschwanz (plain tile) fastening kit Univ. copper galvanized (Universal)

(400 855)

Copper substitute plain tile with integrated VA-hook and additional fastening plate (adjustable on the sides).





Roof hook special design Bitumen

Extra flat hook, especially for fastening between Bitumen shingles

109001-000 Roof hook Bitumen

(400 870)

	Length	Height	Width	Thickness
mm	255	75	40	4
inches	10.04	2.95	1.57	0.16



Roof hook special design Tegalit

Without fastening plates, for flat Tegalit tiles

109003-000 Roof hook Tegalit

(400 874)

	a	b	c	d	e	f	g	h
mm	52	180	132	60	30	30	5	5
inches	2.05	7.09	5.20	2.36	1.18	1.18	0.20	0.20



Roof hook PP

For purlin roofs with pan tile roofing
Due to the purlin partition, this roof hook usually has to be combined with a cross rail system.

109004-000 Roof hook system PP Pfette Pfanne purlin/pantile

(400 875)

	a	b	c	d	e	f	g	h
mm	50	110	135	200	50	35	5	6
inches	1.97	4.33	5.31	7.87	1.97	1.38	0.20	0.24



Roof hook Mönch/Nonne (Spanish tile)

For special tile forms - Mönch/Nonne (Spanish tile)
Especially in South European countries.

109005-000 Roof hook Mönch Nonne (Spanish tile) - purlin (adjustable)

(400 590)

	a	b	c	d	e	f	g	h
mm	100-130	110	185-215	200	50	35	5	6
inches	3.94-5.12	4.33	7.28-8.46	7.87	1.97	1.38	0.20	0.24



109005-001 Roof hook Mönch Nonne (Spanish tile) - rafter (adjustable)

(400 591)

Design for rafter or concrete

	a	b	c	d	e	f	g	h
mm	100-130	110	185-215	60	150	35	5	6
inches	3.94-5.12	4.33	7.28-8.46	2.36	5.91	1.38	0.20	0.24



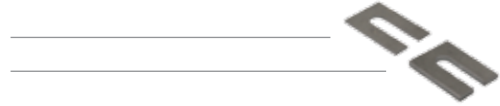
Distance piece for roof hook mounting (to be used in pairs)

- 109006-002 **Shim 2 mm DN 8** (2 mm / 0.08 inches)
 109006-005 **Shim 5 mm DN 8** (5 mm / 0.20 inches)



Corrective plate for connection M10 (consider screw length, if necessary!)

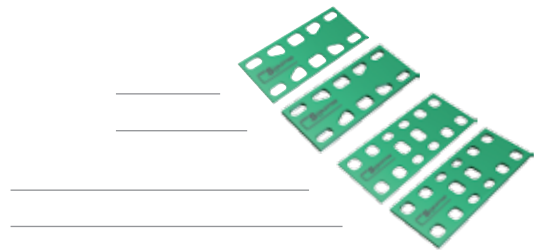
- 109007-002 **Shim 2 mm DN 10** (2 mm / 0.08 inches)
 109007-005 **Shim 5 mm DN 10** (5 mm / 0.20 inches)



Distance plate for roof hook mounting

- 973000-017 **Shim 2 mm EcoG / EcoS / Rapid Standard**
 973000-018 **Shim 5 mm EcoG / EcoS / Rapid Standard**

- 973000-019 **Shim 2 mm VaMax / Rapid Max**
 973000-020 **Shim 5 mm VaMax / Rapid Max**



109008-000 **KlickTop attachment piece for roof hooks**

(430 501)

Especially for special roof hooks that are not available as a KlickTop version.



Application example



109009-002 **Distance tube, plastic, customized cut** (for on-rafter insulation)

(400 896)

Applicable as a distance piece for on-rafter insulations in combination with extra long fastening screws; Plastic design prevents cold bridges! Please specify the desired length when ordering, screws have to be ordered separately! Consider the reduced permissible load per hook!



Application example

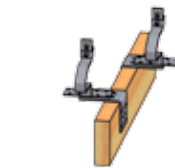


109010-000 **Extra angle joint Iso07** (for roof hook fastening system Iso07)

(400 896-W)

109014-000 **ECO90-angle** (for roof hook) **kit**

Allows roof hook mounting on structures with lamiated wood girders. Including screws and nuts for the fixation of the ECO90-angle to the roof hook.



Application example



Area of application

Fastening of solar and photovoltaic plants to the substructures of tiled roofs.

Technical data

Material	Roof hooks and screws: Quality steel 1.4301 Distance pieces, corrective plates, KlickTop and Rapid profile clamping: Aluminum Sheet metal components: Quality steel 1.4301
Structural analysis	Structural analysis according to the current national standards (in Germany DIN1055 and EC1). Attachments regarding the dimensioning of the number of required fastening points based on an accordant structural calculation. By all means, consider the information on structural safety! The verification of the adhesive force of the roof to the substructure is not included in the general structural analysis attachments!

Get all system prices conveniently and swiftly using the auto-calculator on our website: www.schletter.eu

Corrugated roof fastenings overview

Brochure

For corrugated eternit or trapezoidal sheet metal roofs, so-called corrugated roof fastening kits are used, which consist of a special hanger bolt with EPDM-sealing and a mounting plate.



Mounting sketch

- 943810-160**
(400 752-10-160) **Hanger bolt loose, without nuts** M10 x 160 mm / 6.3 inches
- 943810-200**
(400 752-10-200) **Hanger bolt loose, without nuts** M10 x 200 mm / 7.9 inches
- 943812-200**
(400 752-12-200) **Hanger bolt loose, without nuts** M12 x 200 mm / 7.9 inches
- 943812-300**
(400 752-12-300) **Hanger bolt loose, without nuts** M12 x 300 mm / 11.8 inches
- 943812-350**
(400 752-12-350) **Hanger bolt loose, without nuts** M12 x 350 mm / 13.8 inches
- 943812-400**
(400 752-12-400) **Hanger bolt loose, without nuts** M12 x 400 mm / 15.7 inches



- 110010-200**
(400 753-10-200) **Hanger bolt kit 10x200 assembled** M10 x 200 mm / 7.9 inches
- 110012-200**
(400 753-12-200) **Hanger bolt kit 12x200 assembled** M12 x 200 mm / 7.9 inches
- 110012-300**
(400 753-12-300) **Hanger bolt kit 12x300 assembled** M12 x 300 mm / 11.8 inches

Hanger bolt kit readily pre-assembled with vulcanized EPDM-sealing (UV-resistant) and 3 flange nuts in V4A, assembled



KlickTop design for extra quick and simple mounting

- 111110-200**
(430 504-10-200) **Corrugated roof fastening kit 10x200 KlickTop** M10 x 200 mm / 7.9 inches
- 111112-200**
(430 504-12-200) **Corrugated roof fastening kit 12x200 KlickTop** M12 x 200 mm / 7.9 inches
- 111112-300**
(430 504-12-300) **Corrugated roof fastening kit 12x300 KlickTop** M12 x 300 mm / 11.8 inches

Corrugated roof fastening kit KlickTop including KlickTop kit, Hanger bolt with vulcanized EPDM-sealing (UV-resistant) and 3 flange nuts in V4A quality



- 111010-200**
(400 504-10-200) **Corrugated roof fastening kit 10x200** M10 x 200 mm / 7.9 inches
- 111012-200**
(400 504-12-200) **Corrugated roof fastening kit 12x200** M12 x 200 mm / 7.9 inches
- 111012-300**
(400 504-12-300) **Corrugated roof fastening kit 12x300** M12 x 300 mm / 11.8 inches

Corrugated roof fastening kit including mounting plate, hanger bolt with vulcanized EPDM-sealing (UV-resistant) and 3 flange nuts in V4A



111210-200
(400 504-10d200)

Corrugated roof fastening kit 10x200 M10 x 200 mm / 7.9 inches

111212-200
(400 504-12d200)

Corrugated roof twin fastening kit 12x200 M12 x 200 mm / 7.9 inches

111212-300
(400 504-12d300)

Corrugated roof twin fastening kit 12x300 M12 x 300 mm / 11.8 inches

Twin fixation kit for corrugated roofs including mounting plate, 2 hanger bolts with vulcanized EPDM-sealing (UV-resistant) and 6 flange nuts, suitable for fibre cement plates or "Berliner Welle" 133 / 177 mm



119002-000
(400 754)

Mounting plate for hanger bolt M10 / M12
for hanger bolts M10 / M12, loose, aluminum
120 x 60 x 6 mm / 4.72 x 2.36 x 0.24 inches



119003-000
(400 754-d)

Twin mounting plate hanger bolt M10 / M12
for hanger bolts M10 / M12, loose, aluminum
Extra stable design



119001-000
(430 504)

KlickTop attachment piece for hanger bolt
for hanger bolts M10 / M12, loose, aluminum



973000-002
(400 755)

Sealing EPDM for hanger bolt M10 / M12
EPDM, UV-resistant



Area of application

Fastening of solar and photovoltaic plants to the substructures of corrugated eternit roofs or trapezoidal sheet metal roofs.

Technical data

Material	Screws: Quality steel 1.4301 Mounting plate / KlickTop attachment: Aluminum Sealing rubber: Vulcanized EPDM-sealing (UV-resistant)
Structural analysis	Structural analysis according to the current specific national standards (in Germany DIN1055 and EC1). Attachments on the dimensioning of the number of the required fastening points based on a structural calculation. By all means, consider the information on structural safety! The verification of the adhesive force of the roof to the substructure is not included in the general structural analysis attachments!

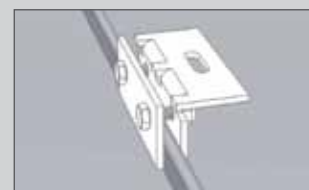
Get all system prices conveniently and swiftly using the auto-calculator on our website: www.schletter.eu

Sheet metal roof clamps overview

Brochure

For (almost) any kind of application! Of course, Schletter offers you the widest-ranging program!

By all means keep in mind: The tightening torque has to be limited in such a manner that the standing seams are not deformed and thermal expansions of the metal sheets are not impeded!



Mounting sketch

112001-000 **Standing seam clamp 503 VA**
(400 503) for standing seam roofs

Please note: In case of titanium sheet metal, it has to be checked if the standing seams may be loaded!

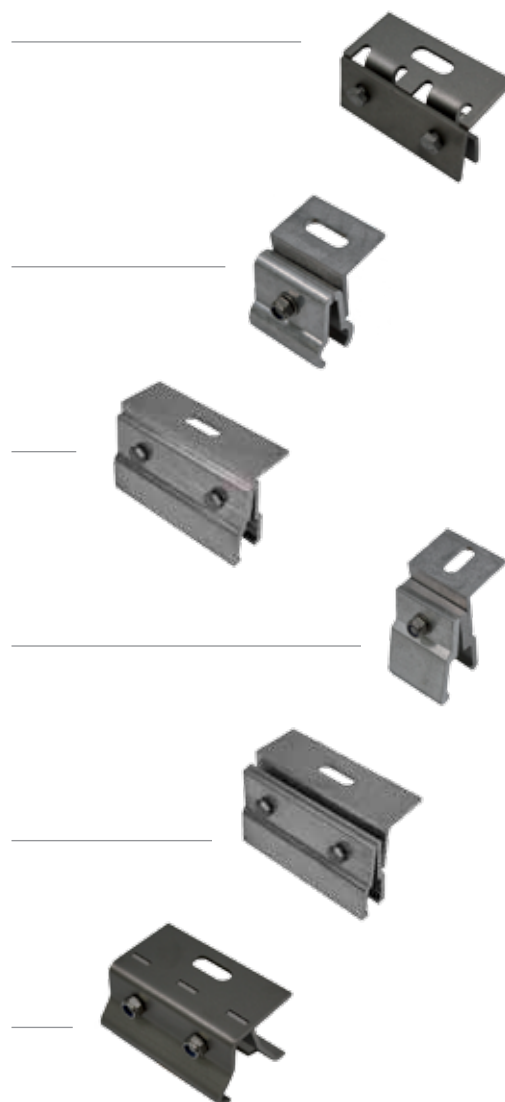
112002-000 **Standing seam clamp 510 KalZip**
(400 510) for KalZip- and Bemo roofs

112003-000 **Standing seam clamp 520 Zambelli**
(400 520) **RibRoof465 aluminum**
for Zambelli RibRoof, width 465 and similar designs

112004-000 **Standing seam clamp 522-A Zambelli**
(400 522-A) **RibRoof500 aluminum**
for Zambelli RibRoof, width 500 and similar designs

112006-000 **Standing seam clamp 524 Fischer**
(400 524) **KlipTec 52-400 aluminum**
for Fischer KlipTec 52/400 and similar designs

112007-000 **Standing seam clamp 525 Domico VA**
(400 525) for Domico and similar designs



Trapazoidal clamp Fix 2000

The universal trapezoidal sheet metal fastening for steel sheets starting from 0.5 mm / 0.02 inches and aluminum sheet metal starting from 0.8 mm / 0.03 inches; production according to measurement (measurement list is available for download)! Please pay special regard to the information on application!



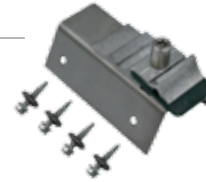
113002-000 **Fix2000 KlickTop** including 4 sheet metal screws

(400 873k)

113002-001 **Fix2000 KlickTop with rubber**

(400 873k-G)

design with glued-in EPDM-rubber
(Manufacturer recommendation)



113001-000 **Fix2000 Standard** including 4 sheet metal screws and 1x screw kit M10

(400 873)

113001-001 **Fix2000 Standard with rubber**

(400 873-G)

design with glued-in EPDM-rubber
(Manufacturer recommendation)



973000-014 **EPDM-rubber for self-mounting** (10 m roll, width 48 mm)

(400 750-48)

943706-025 **Self-drilling screw with sealing ring**

(462 150)

119009-000 **Gauging tool for Fix2000** (for measuring the measurements

(400 873-ML)

of the trapezoidal sheet metal)



System VarioFix

The universal trapezoidal sheet metal fastening for steel metal sheets starting from 0.5 mm / 0.02 inches and aluminum metal sheets starting from 0.8 mm / 0.03 inches; Please pay special regard to the application information!

113009-100 **SingleFix-V Solo twin kit**

(2x SingleFix-V Solo, 4 sheet metal screws)

To be used in combination with the Solo mounting rail, for example



113009-200 **SingleFix-V Solo mounting kit**

(2x SingleFix-V Solo, 4 sheet metal screws,
Profile piece Solo 450mm / 17.72 inches)



113009-101 **SingleFix-V Profi twin kit**

(2x SingleFix-V Solo, 4 sheet metal screws)

Application in combination with a Profi mounting rail, for example



113010-000 **SingleFix-H**

113010-001 **SingleFix-H with rubber**

For horizontal module mounting on trapezoidal sheet metal roofs



119015-000 **Clamping tape made of aluminum 12x0.8 hole 5.2mm - 50m**

For connecting individual clamps as a potential equalization connection
or for fastening the string cabling if mounting rails cannot be utilized



Fastening element FixPlan

The alternative for flat sheet metal roofs, if a fastening to standing seams is not possible (for example titanium zinc metal roofs).

114001-001 **FixPlan 12x200 KlickTop** with hanger bolt 12x200
(430 879-12-200)

114002-001 **FixPlan 12x300 KlickTop** with hanger bolt 12x300
(430 879-12-300)

114001-000 **FixPlan 12x200** with hanger bolt 12x200
(400 879-12-200)

114002-000 **FixPlan 12x300** with hanger bolt 12x300
(400 879-12-300)

114004-000 **Bituplan additional sealing for FixPlan**
for mounting on Bitumen roof coverings



Area of application

Fastening of solar plants and PV-plants on sheet metal roofs and Bitumen roofs.

Important information regarding structural safety

- Generally, a sufficient holding force of the sheet metal roof covering to the substructure is always a precondition for constructions that are fixed to the roof cladding. Please note that the accordant verifications have to be carried out by the customer!
- In case of elevated installations, extra heavy loads onto the sheet metal roofing will arise. In such cases, please make sure that there is a sufficient number of fastening points as well as a verification of the holding force of the roof covering.
- The verification of the holding force of the standing seam clamps to the roof can be looked up in the accordant attachments of the system structural analysis.
- By all means, please consider the higher loads in roof edge areas and roof corner areas respectively do not make these areas part of your plant layout in the first place.
- Regarding the maximum snow load, it has to be considered that the roof cladding must be able to bear the self-weight of the PV-plant plus the snow load.

Technical data

Material	Screws: Quality steel 1.4301; Profiles: EN AW 6063 T66 / AlMg0.5Si Sheet metal components: Quality steel 1.4301
Structural analysis	Structural analysis according to the current specific national standards (in Germany DIN1055 and EC1). Attachments on the dimensioning of the number of the required fastening points based on a structural calculation and verifications by tensile tests. By all means, consider the information on structural safety! The verification of the adhesive force of the roof to the substructure is not included in the general structural analysis attachments!

Get all system prices conveniently and swiftly using the auto-calculator on our website: www.schletter.eu

StandOff overview

Brochure

The fastening system for Bitumen roofs and membrane roofs of industrial buildings.

StandOff

- 188000-079 StandOff aluminum mounting console 79mm / 3.11inches
- 188000-105 StandOff aluminum mounting console 105mm / 4.13inches
- 188000-206 StandOff aluminum mounting console 206mm / 8.11inches
- 188000-308 StandOff aluminum mounting console 308mm / 12.13inches



StandOff design KlickTop (including KlickTop attachment and nut)

- 188001-079 StandOff aluminum mounting console 79mm / 3.11inches
- 188001-105 StandOff aluminum mounting console 105mm / 4.13inches
- 188001-206 StandOff aluminum mounting console 206mm / 8.11inches
- 188001-308 StandOff aluminum mounting console 308mm / 12.13inches



FixE and FixT overview

Brochure

The innovative fastening solution for steel and wooden purlins.






Ordering exclusively by  Checklist FixE/FixT

Wood



Steel

FixE/T
Size

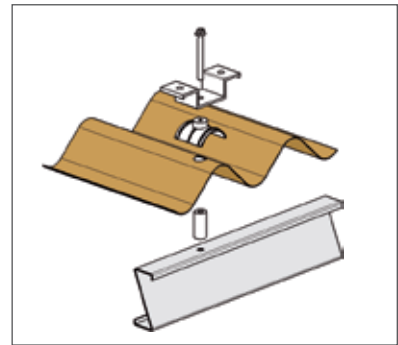
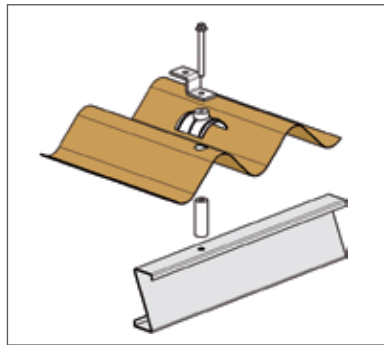
				
1	2	3	4	5

Applicable sizes

111006-000

(400 877-1)

FixE size 1 simple fastening kit



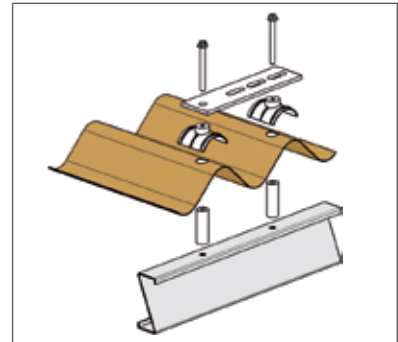
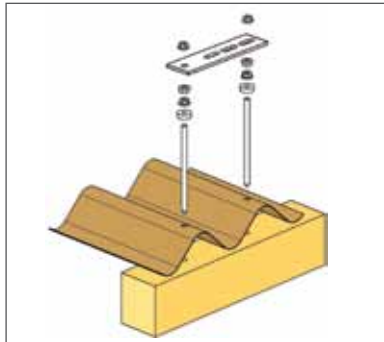
111007-000

(400 877-2)

FixE size 2 twin fastening kit plate

For corrugation top distances of 133 and 177 mm, +/- 10 mm of 5.24 and 6.97 inches, +/- 0.4 inches

Variable due to slot holes



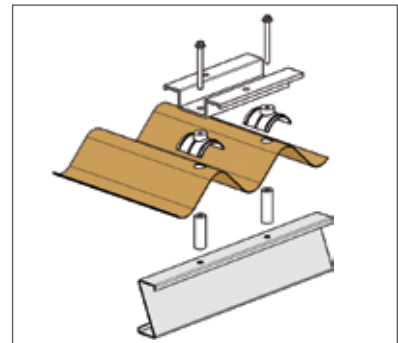
Attention! Twin fixation kit for corrugated roofs
Item numbers and information on page 10

111008-000

(400 877-3)

FixE size 3 twin fastening kit cap profile

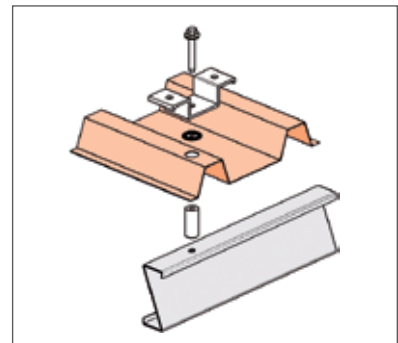
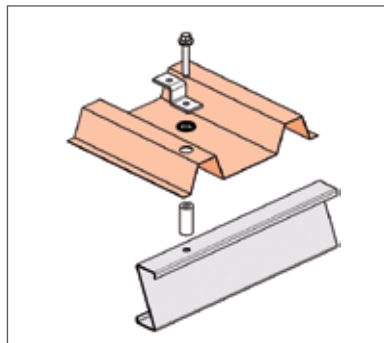
Production according to check list



113004-000

(400 878-1)

FixT size 1 simple fastening kit

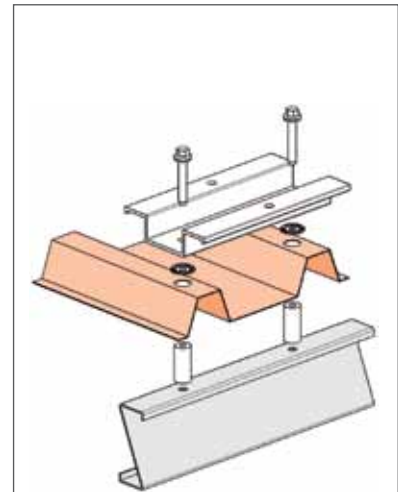
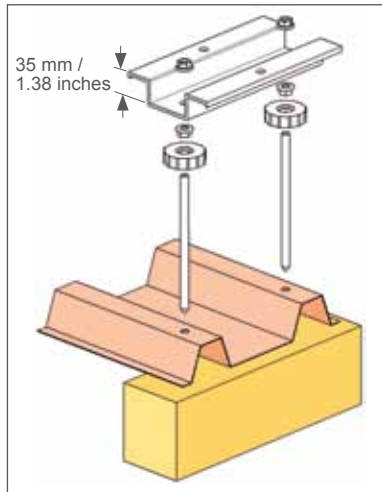


113005-000

(400 878-2)

FixT size 2 twin fastening kit

for corrugation top distances
up to 250 mm / 9.84 inches
up to hanger bolt size M10

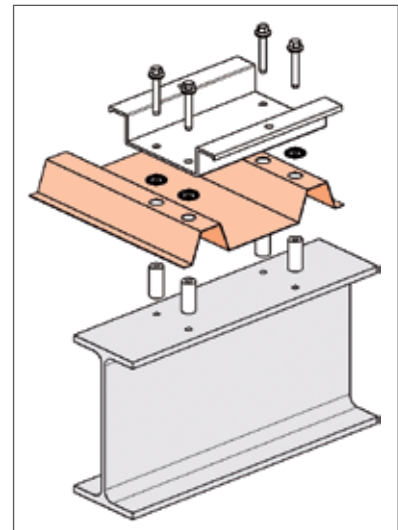
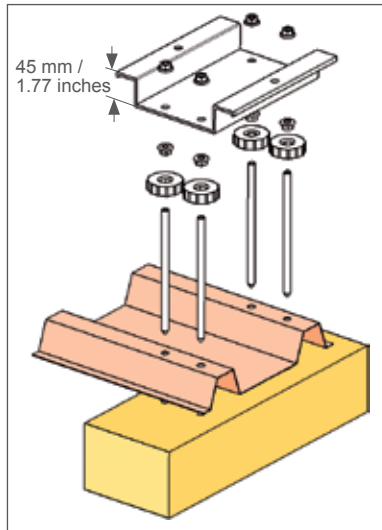


113006-000

(400 878-3)

FixT size 3 twin fastening kit

for corrugation top distances
bigger than 250 mm / 9.84 inches



113007-000

(400 878-4)

FixT size 4 quadruple fastening kit

for corrugation top distances
up to 250 mm / 9.84 inches

113008-000

(400 878-5)

FixT size 5 quadruple fastening kit

for corrugation top distances
bigger than 250 mm / 9.84 inches

Area of application

Elevation systems like CompactVario and CompactGrid

Important information regarding structural safety

On the basis of a check list, the supporting elements are adapted to the roofing, the accordant screws are selected, and the length of the distance tubes is determined. The structural dimensioning of the complete construction (roof connections, support plates, elevation) is carried out on the basis of a convenient structural calculations program.

Technical data

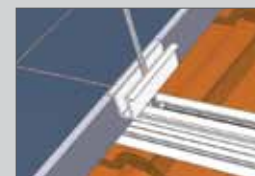
Material	Screws: Quality steel 1.4301, 8 mm for steel purlins, hanger bolts M10 respectively M12 for wooden purlins. Distance tubes made of aluminum, diameter 20 respectively 16 mm / 0.79 respectively 0.63 inches (only for steel purlins). Concentric EPDM-sealing, UV-resistant in case of steel purlin, Special sealing attachment respectively rubber for corrugated roofs in case of wooden purlins. Sealing collar: EPDM-rubber form piece, UV-resistant Supporting elements: Cap profiles: Aluminum; Fastening angles VA (FixE1) or mounting plates made of aluminum (FixE2)
Structural analysis	Structural analysis according to the current specific national standards (in Germany DIN1055 and EC1). a) Roof-parallel mounting: Charts on the number of fastening points b) Elevations: Structural analysis project planning program CompactVario

Get all system prices conveniently and swiftly using the auto-calculator on our website: www.schletter.eu

Module clamps overview

Brochure

Module clamps for (almost) any module design.



Mounting sketch

Aluminum module end clamps for framed modules

Optimum holding force in the critical edge zones of the plant.

Module middle clamps with a length of 100 mm and bars of 3 mm

Distribute the contact pressure in an optimum manner onto the module frame.

Gap between the modules: about 20 mm

Frame height		anodized in black						suitable socket head screw	
mm	inches	End clamp without accessories	Middle clamp without accessories	Earthing middle clamp without accessories	End clamp without accessories	Middle clamp without accessories	Earthing middle clamp without accessories	mm	inches
20	0.79	130001-020	130002-000	135001-000	130001-920	130002-900	135001-900	25	0.98
24	0.94	130001-024	130002-000	135001-000	130001-924	130002-900	135001-900	30	1.18
28	1.10	130001-028	130002-000	135001-000	130001-928	130002-900	135001-900	35	1.38
30	1.18	130001-030	130002-000	135001-000	130001-930	130002-900	135001-900	35	1.38
31	1.22	130001-031	130002-001	135001-001	130001-931	130002-901	135001-901	20	0.79
32	1.26	130001-032	130002-001	135001-001	130001-932	130002-901	135001-901	20	0.79
34	1.34	130001-034	130002-001	135001-001	130001-934	130002-901	135001-901	20	0.79
35	1.38	130001-035	130002-001	135001-001	130001-935	130002-901	135001-901	20	0.79
36	1.42	130001-036	130002-001	135001-001	130001-936	130002-901	135001-901	25	0.98
38	1.50	130001-038	130002-001	135001-001	130001-938	130002-901	135001-901	25	0.98
40	1.57	130001-040	130002-001	135001-001	130001-940	130002-901	135001-901	25	0.98
42	1.65	130001-042	130002-001	135001-001	130001-942	130002-901	135001-901	30	1.18
43	1.69	130001-043	130002-001	135001-001	130001-943	130002-901	135001-901	30	1.18
44	1.73	130001-044	130002-001	135001-001	130001-944	130002-901	135001-901	30	1.18
45	1.77	130001-045	130002-001	135001-001	130001-945	130002-901	135001-901	30	1.18
46	1.81	130001-046	130002-001	135001-001	130001-946	130002-901	135001-901	35	1.38
48	1.89	130001-048	130002-001	135001-001	130001-948	130002-901	135001-901	35	1.38
50	1.97	130001-050	130002-001	135001-001	130001-950	130002-901	135001-901	35	1.38
51	2.01	130001-051	130002-001	135001-001	130001-951	130002-901	135001-901	35	1.38

(400 420-o - 400 451-o) (400 231-o / 400 230-o) (430 031-o / 430 030-o) (see screws and accessories)

135004-000
(430 036)

Earthing shim for module earthing
(to be combined with normal clamps)



139003-000
(400 233-o)

VA module clamp "claw" (for example for Sanyo module)
(suitable accessory: M8x35)





Mounting sketch

Rapid²⁺ system aluminum module clamps - assembled

including Screw, Torx M8, serration on the lower side of the screw head and anti-friction coating

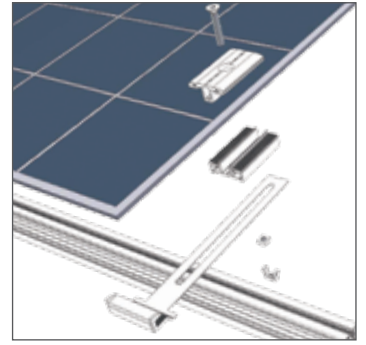
Frame height		anodized in black				anodized in black			
mm inches		End clamp	End clamp Universal	Middle clamp	Earthing middle clamp	End clamp	End clamp Universal	Middle clamp	Earthing middle clamp
30	1,18	131001-030	131002-000	131003-000	135002-000	131001-930	131002-900	131003-900	135002-900
31	1,22	131001-031	131002-000	131003-000	135002-000	131001-931	131002-900	131003-900	135002-900
32	1,26	131001-032	131002-000	131003-000	135002-000	131001-932	131002-900	131003-900	135002-900
33	1,30	131001-033	131002-000	131003-000	135002-000	131001-933	131002-900	131003-900	135002-900
34	1,34	131001-034	131002-000	131003-000	135002-000	131001-934	131002-900	131003-900	135002-900
35	1,38	131001-035	131002-000	131003-000	135002-000	131001-935	131002-900	131003-900	135002-900
36	1,42	131001-036	131002-000	131003-000	135002-000	131001-936	131002-900	131003-900	135002-900
37	1,46	131001-037	131002-000	131003-000	135002-000	131001-937	131002-900	131003-900	135002-900
38	1,50	131001-038	131002-000	131003-000	135002-000	131001-938	131002-900	131003-900	135002-900
39	1,54	131001-039	131002-000	131003-000	135002-000	131001-939	131002-900	131003-900	135002-900
40	1,57	131001-040	131002-001	131003-001	135002-001	131001-940	131002-901	131003-901	135002-901
41	1,61	131001-041	131002-001	131003-001	135002-001	131001-941	131002-901	131003-901	135002-901
42	1,65	131001-042	131002-001	131003-001	135002-001	131001-942	131002-901	131003-901	135002-901
43	1,69	131001-043	131002-001	131003-001	135002-001	131001-943	131002-901	131003-901	135002-901
44	1,73	131001-044	131002-001	131003-001	135002-001	131001-944	131002-901	131003-901	135002-901
45	1,77	131001-045	131002-001	131003-001	135002-001	131001-945	131002-901	131003-901	135002-901
46	1,81	131001-046	131002-001	131003-001	135002-001	131001-946	131002-901	131003-901	135002-901
47	1,85	131001-047	131002-001	131003-001	135002-001	131001-947	131002-901	131003-901	135002-901
48	1,89	131001-048	131002-001	131003-001	135002-001	131001-948	131002-901	131003-901	135002-901
49	1,93	131001-049	131002-001	131003-001	135002-001	131001-949	131002-901	131003-901	135002-901
50	1,97	131001-050	131002-001	131003-001	135002-001	131001-950	131002-901	131003-901	135002-901
		(430 830 - 430 850)	(430 812 / 430 813)	(430 810 / 430 811)	(430 820 / 430 821)				

Laminat Profi, Eco & GS series

For different module thicknesses

Attention: Consider the tightening torques!

(please also see: General information on laminate mounting)



Mounting sketch

Profi series

for laminate thicknesses of 3-14 mm / 0.12-0.55 inches

Engagement length into the module: Profi narrow: 11 mm, Profi wide: 15 mm,

the gap between the modules measures about 20 mm;

Countersunk head screw and square nut are included

132201-308 **Middle clamp Profi narrow 3-8 mm kit** (0.12-0.31 inches)

(400 295-M8)

132201-914 **Middle clamp Profi narrow 9-14 mm kit** (0.35-0.55 inches)

(400 295-M14)

132101-308 **End clamp Profi narrow 3-8 mm kit** (0.12-0.31 inches)

(400 297-M8)

132101-914 **End clamp Profi narrow 9-14 mm kit** (0.35-0.55 inches)

(400 297-M14)

132202-308 **Middle clamp Profi wide 3-8 mm kit** (0.12-0.31 inches)

(400 296-M8)

132202-914 **Middle clamp Profi wide 9-14 mm kit** (0.35-0.55 inches)

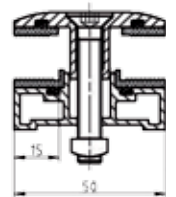
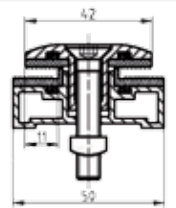
(400 296-M14)

132102-308 **End clamp Profi wide 3-8 mm kit** (0.12-0.31 inches)

(400 298-M8)

132102-914 **End clamp Profi wide 9-14 mm kit** (0.35-0.55 inches)

(400 298-M14)



139001-000 **Support rubber for laminate mounting**

(400 240-G)

is inserted in the cross beam and prevents a sagging of the modules



Eco series

11 mm engagement length into the module, the gap between the

modules measures about 22 mm

(the laminates are not pressed)

133240-040 **Middle clamp Eco4 laminate 4 mm** (for laminates 4 mm)

(400 253)

133240-140 **Middle clamp Eco4 laminate 4 mm kit** (with accessories* M8x20)

(400 253-m4)

133140-040 **End clamp Eco4 laminate 4 mm** (for laminates 4 mm)

(400 254)

133140-140 **End clamp Eco4 laminate 4 mm kit** (with accessories* M8x20)

(400 254-m4)



*without click component!

- 133260-068 **Middle clamp Eco6 laminate 6.8 mm (0.27 inches)**
(400 257)
- 133260-168 **Middle clamp Eco6 laminate 6.8 mm kit (with accessories* M8x20)**
(400 257-m6)
- 133160-068 **End clamp Eco6 laminate 6.8 mm (0.27 inches)**
(400 258)
- 133160-168 **End clamp Eco6 laminate 6.8 mm kit (with accessories* M8x20)**
(400 258-m6)

*without click component!

With manufacturer certification for laminate modules by First Solar



- 133270-073 **Middle clamp Eco7 laminate 7.3 mm (0.29 inches)**
- 133270-173 **Middle clamp Eco7 laminate 7.3 mm kit (with accessories* M8x20)**
- 133170-073 **End clamp Eco7 laminate 7.3 mm (0.29 inches)**
- 133170-173 **End clamp Eco7 laminate 7.3 mm kit (with accessories* M8x20)**

*without click component!

With manufacturer certification for laminate modules by First Solar



- 133280-080 **Middle clamp Eco8 laminate 8 mm (0.31 inches)**
(400 255)
- 133280-180 **Middle clamp Eco8 laminate 8 mm kit (with accessories* M8x20)**
(400 255-m8)
- 133180-080 **End clamp Eco8 laminate 8 mm (0.31 inches)**
(400 256)
- 133180-180 **End clamp Eco8 laminate 8 mm kit (with accessories* M8x20)**
(400 256-m8)

*without click component!

With manufacturer certification for laminate modules by First Solar



- 139004-000 **Shim for module clamp Eco (optional)**
(400 257-UB)
to elevate the support area
- 139004-001 **Shim for Rapid**
- 498 050 **Distance piece**
for laminate thickness 4-10 mm/ 0.16-0.39 inches

- 139008-000 **Safety hook for laminate thickness 6.8 mm**
- 139008-001 **Safety hook for laminate thickness 8 mm**

Prevents the modules from sliding-off



- 134060-068 **GS6 clamp scaled 6.8 mm laminate (for laminates 6.8 mm)**
(430 251-6)
- 134060-168 **GS6 clamp scaled 6.8 mm laminate M8x20 (with accessories* M8x20)**
(430 251-m6)
- 134080-080 **GS8 clamp scaled 8 mm laminate (for laminates 8 mm)**
(430 251-8)
- 134080-180 **GS8 clamp scaled 8 mm laminate M8x20 (with accessories* M8x20)**
(430 251-m8)

*without click component!

No certification for First Solar !



Profile series 05 overview

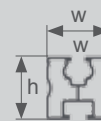
Brochure

The profile series 05 for the well-proven Klick system with suitable accessories.
Mounting with square nut, Klick system und Rapid²⁺

➔ also see the structural analysis charts for cross beams

Available lengths

m	inches
4	157
6	236
and customized lengths	



Module bearing profile Eco05

	w	h
mm	30	30
inches	1.18	1.18

Mechanical connection:
Top: Klick groove M8
Bottom: Screw channel M10

- 120001-001 Customized cut
- 120001-004 4 m / 157 inches
- 120001-006 6 m / 236 inches

(430 071-...)



for narrow spans

Module bearing profile Solo05

	w	h
mm	40	40
inches	1.57	1.57

Mechanical connection:
Top: Klick groove M8
Bottom: Screw channel M10

- 120002-001 Customized cut
- 120002-004 4 m / 157 inches
- 120002-006 6 m / 236 inches

(430 070-...)

- 120002-906 **anodized in black** (6 m / 236 inches)



for wider spans

Module bearing profile Profi05

	w	h
mm	40 / 62	40
inches	1.57/2.44	1.57

Mechanical connection:
Top: Klick groove M8
Bottom: Screw channel M10

- 120003-001 Customized cut
- 120003-004 4 m / 157 inches
- 120003-006 6 m / 236 inches

(430 010-...)



with cable duct

Module bearing profile ProfiPlus05

	w	h
mm	40	60
inches	1.57	2.36

Mechanical connection:
Top: Klick groove M8
Bottom: Screw channel M10

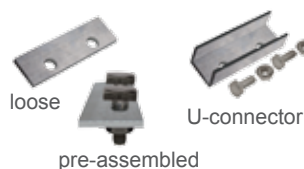
- 120004-001 Customized cut
- 120004-004 4 m / 157 inches
- 120004-006 6 m / 236 inches

(430 015-...)



for wider spans

- 129001-000 **Connector plate Eco05 not assembled**
- 129001-001 **Connector plate Eco05 pre-assembled**
- 129001-002 **U-connector Eco05 complete**



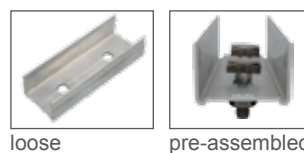
loose

U-connector

pre-assembled

- 129002-000 **Connector Solo or ProfiPlus not assembled**
- 129002-900 **black anodized design**

- 129002-001 **Connector Solo or ProfiPlus pre-assembled**
- 129002-901 **black anodized design**



loose

pre-assembled

- 129003-000 **Connector Profi not assembled**

(430 023-o)

- 129003-001 **Connector Profi pre-assembled**

(430 023-m)



loose

pre-assembled

Cross beam connector kit for length equalization

Attention! Not to be used within the module row!

129026-000

(400 026 / 400 027)

Cross beam connector Solo05 and Profi05



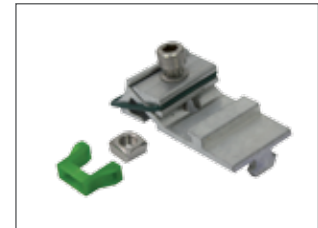
129004-000

(430 520-m8)

KlickTop cross connector kit M8

with bolt, Klick and square nut for Klick groove M8 for cross rail systems

➔ GridNorm product sheet



129039-000

(400 518-m10)

Rail cross connector VA plate M10 / M10

Wide plate incl. screw kit M10 / M10 for special applications



129011-000

(430 028)

Plastic end cap Solo Profi05

is included free of charge in pre-compiled plants! On request, also available in high quantities with your company logo



Cable duct Profi Solo Eco05

for a clean and protected cable laying in combination with a covering - see below
Mechanical connection: Clicking in

129007-001

129007-006

(430 020-...)

customized cut
6 m / 236 inches



Rectangular cable duct 25x40 with screwing ear

for a clean and protected cable laying in combination with covering - see below
Mechanical connection: Screw M10 - has to be drilled

129008-001

129008-006

(430 021-...)

customized cut
6 m / 236 inches



Cable duct covering for the cable ducts

Profi 05, additional duct and rectangular duct among other things optimized against damage caused by martens

129009-001

129009-006

(430 022-...)

customized cut
6 m / 236 inches



Accessories for profile series 05:

- 129010-008** **KlickIn click component for nut M8**
(430 024) for a simplified insertion of the M8 square nut at any desired spot of the M8 KlickIn groove
- 129012-008** **Prokclip-S cable clip rectangular duct M8**
(498 111) rectangular, to be snapped into the screwing channel M8 to optimize the cable routing
- 129012-010** **Prokclip2000-B cable clip round duct M10**
(498 120) round, to be snapped into the M10 screwing channel to optimize the cable routing
- 129005-000** **Prokclip-C cable clip for Solo05 and Profi05**
(498 114) rectangular, to be snapped onto the side of the profile for Solo05 and Profi05
- 135003-000** **Lightning protection for 8 and 10 mm**
(430 035) **Aluminum**, completely pre-assembled (for wire diameters of 8 or 10 mm)



Area of application

All Schletter profile groups can be combined among each other for applications on pitched roofs, flat roofs and in open areas, as well as for the most different kinds of special systems. Chose the profile for your special case of application from our wide range in order to minimize the need for raw material.

Technical data

Material	Screws: Quality steel 1.4301; Profiles: EN AW 6063 T66 / AlMgSi0.5 Sheet metal components: Quality steel 1.4301
Structural analysis	Structural analysis according to the current specific national standards (in Germany DIN1055 and EC1). Attachments on the dimensioning of the number of the required fastening points based on a structural calculation. By all means, consider the information on structural safety! The verification of the adhesive force of the roof to the substructure is not included in the general structural analysis attachments!

Get all system prices conveniently and swiftly with the auto-calculator on our website: www.schletter.eu

Cable duct MaxK overview

Brochure

The cable duct system for a flexible mounting of string cablings.



Mounting sketch

- 129013-000 (430 201) **Cable duct MaxK not assembled 80x40x3000**
- 129013-001 (430 202) **Cable duct MaxK not assembled 120x40x3000**

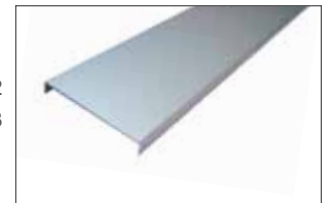


- 129018-000 (430 231) **MaxK Vario duct 80x40x600-1000 mm**
- 129018-001 (430 232) **MaxK Vario duct 80x40x900-1300 mm**
- 129018-002 (430 233) **MaxK Vario duct 120x40x600-1000 mm**
- 129018-003 (430 234) **MaxK Vario duct 120x40x900-1300 mm**

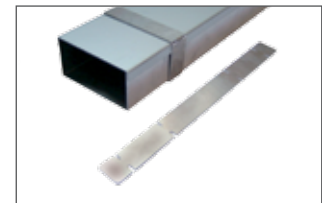
Extendable and can simply be mounted between the cross beams without being cut off.



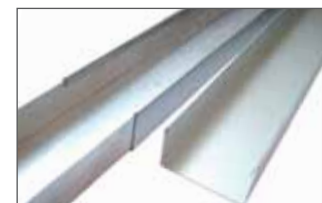
- 129014-000 (430 211) **Covering cable duct MaxK 80x1000** for MaxK Vario 129018-000
- 129014-001 (430 212) **Covering cable duct MaxK 80x1300** for MaxK Vario 129018-001
- 129014-003 (430 213) **Covering cable duct MaxK 120x1000** for MaxK Vario 129018-002
- 129014-004 (430 214) **Covering cable duct MaxK 120x1300** for MaxK Vario 129018-003
- 129014-002 (430 215) **Covering cable duct MaxK 80x3000** for MaxK 129013-000
- 129014-005 (430 216) **Covering cable duct MaxK 120x3000** for MaxK 129013-001



- 129015-000 (430 221) **Cover bracket MaxK duct 80 or 120**



- 129016-000 (430 222) **Shift connector MaxK duct 80**
- 129016-001 (430 223) **Shift connector MaxK duct 120**



- 129017-000 (430 224) **Hook-in bracket MaxK duct 80**
- 129017-001 (430 225) **Hook-in bracket MaxK duct 120**



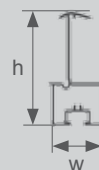
Inlay system overview

Brochure

The inlay system by Schletter for roofs and open areas
 ➔ please also see the structural analysis charts for cross beams

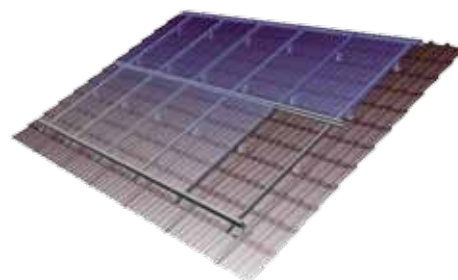
Available lengths

m	inches
6	236
8	315
and customized lengths	



Important information

Modules with a special frame certification can be mounted in inlay systems. But with these systems, the module frame has to be designed for bigger loads, as the unsupported span is much wider if the modules are mounted vertically.



For applications on roofs

Module bearing profile RI 1-b50 for module height 50 mm/1.97 inches

	b	h
mm	40	92
inches	1.57	3.62

Mechanical connection:
 Top: Inlay area
 Bottom: Screw channel M10



- 124803-001 Customized cut
- 124803-006 6 m / 236 inches
- 124803-008 8 m / 315 inches

Module bearing profile RI 1-t50 for module height 50 mm/1.97 inches

	b	h
mm	40	92
inches	1.57	3.62

Mechanical connection:
 Top: Inlay area
 Bottom: Screw channel M10



- 124801-001 Customized cut
- 124801-006 6 m / 236 inches
- 124801-008 8 m / 315 inches

Module bearing profile RI 1-c50 for module height 50 mm/1.97 inches

	b	h
mm	40	92
inches	1.57	3.62

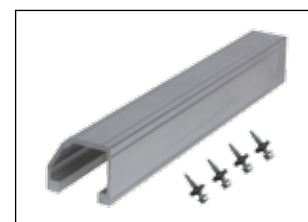
Mechanical connection:
 Top: Inlay area
 Bottom: Screw channel M10



- 124802-001 Customized cut
- 124802-006 6 m / 236 inches
- 124802-008 8 m / 315 inches

129057-001 **Profile connector not assembled, RI 1**

129057-000 **Profile connector complete, RI 1** with self-drilling screws



For installations in open areas

Important information

Modules with a special frame certification can be mounted in inlay systems. But with these systems, the module frame has to be designed for bigger loads, as the unsupported span is much wider if the modules are mounted vertically.

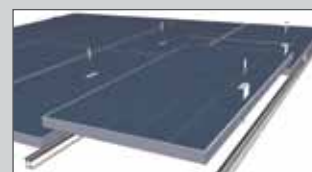
Only within the framework of systems and projects



Plandach5 overview

Brochure

The Schletter in-roof system



Mounting sketch

Plandach5 profile

122001-001

122001-006

(400 280-...)

customized cut

6 m / 236 inches



129032-000

(400 290)

Support rubber Plandach5

in the bearing profile Plandach5 for laminate modules



129033-000

(400 293)

Distance profile Plandach5

for laminate modules at horizontal joints



129034-000

(400 294)

Anti-skid device Plandach5 kit laminate



136201-040

(400 284 - 40)

Middle clamp Plandach5 for frames up to 40 mm (1.57 inches) kit

136201-052

(400 284 - 52)

Middle clamp Plandach5 for frames up to 52 mm (2.05 inches) kit

136101-0xx

(400 285 - XX)

End clamp Plandach5 frames XXmm kit

pre-compiled for XX mm



136202-012

(400 288 - m12)

Middle clamp Plandach5 laminate up to 12 mm (0.47 inches) kit

136004-001

(400 289 -...)

End clamp Plandach5 laminate 6 and 8 mm

(0.24 and 0.31 inches) kit



129035-000

(400 299)

Sealing underlayment Plandach5 form piece

for the mounting of the profile on the roof covering



462 170

462 171

Sealing screw 4.9x35 for wooden substructures

Sealing screw 6.5x50 for wooden substructures



FixZ-7 additional elevation

Brochure

FixZ-7 simple elevation 5-7°



Mounting sketch

FixZ-7 system profile bottom

	b	h
mm	36	51
inches	1.42	2.01

- 121002-001 Customized cut
- 121002-004 4 m / 157 inches
- 121002-006 6 m / 236 inches

(400 087-...)

Mechanical connection:

Top: Klick groove M8
Bottom: Screw channel M10



FixZ-7 system profile top

	b	h
mm	36	130
inches	1.42	5.12

- 121001-001 Customized cut
- 121001-004 4 m / 157 inches
- 121001-006 6 m / 236 inches

(400 086-...)

Mechanical connection:

Top: Klick groove M8
Bottom: Screw channel M10



- 129019-000 **Connector FixZ-7 profile top bottom kit**
including screws

(400 086-V)

Pay regard to further information about the system!

➔ [FixZ-7 product sheet](#)



Area of application

System-specific application. Please find further information in the download area on our website: www.schletter.eu

Technical data

Material	Screws: Quality steel 1.4301; Profiles: EN AW 6063 T66 / AlMg0.5Si Sheet metal components: Quality steel 1.4301
Structural analysis	Structural analysis according to the current specific national standards (in Germany DIN1055 and EC1). Attachments on the dimensioning of the number of the required fastening points based on a structural calculation. By all means consider the information on structural safety! The verification of the adhesive force of the roof to the substructure is not included in the general structural analysis attachments!

Get all system prices conveniently and swiftly with the auto-calculator on our website: www.schletter.eu

Flat roof systems

Brochure

Depending on the substructure and the specific kind of fastening, diagonal bracings of the supporting structures can be recommendable. These bracings can be created on site or can also be ordered separately, if necessary! Customized sizes, customized angles, etc. on request.



Application examples

Supports, 30 degrees, other angles on request

07 series

Flex Console

Mounting beam

KlickTop mounting beam



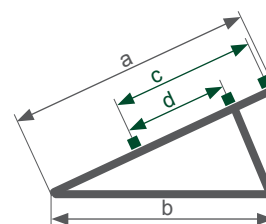
150001-100
150001-130
150001-150

150101-100
150101-130
150101-150



Bottom profile

Flat roof support Light U (30 degrees, aluminum, screwed)



Module height	a	b	c	d
about 1000 mm / 39.4 inches	965 mm / 38.0 inches	841 mm / 33.1 inches	530 mm / 20.9 inches	360 mm / 14.2 inches
about 1300 mm / 51.2 inches	1195 mm / 47.0 inches	995 mm / 39.2 inches	850 mm / 33.5 inches	600 mm / 23.6 inches
about 1500 mm / 59.1 inches	1445 mm / 56.9 inches	1390 mm / 54.7 inches	960 mm / 37.8 inches	690 mm / 27.2 inches

Mounting beam

KlickTop mounting beam



150002-100
150002-130
150002-150

150102-100
150102-130
150102-150



Bottom profile

Flat roof support Light N (30 degrees, aluminum, screwed)

Module height	a	b	c	d
about 1000 mm / 39.4 inches	965 mm / 38.0 inches	841 mm / 33.1 inches	530 mm / 20.9 inches	360 mm / 14.2 inches
about 1300 mm / 51.2 inches	1195 mm / 47.0 inches	995 mm / 39.2 inches	850 mm / 33.5 inches	600 mm / 23.6 inches
about 1500 mm / 59.1 inches	1445 mm / 56.9 inches	1390 mm / 54.7 inches	960 mm / 37.8 inches	690 mm / 27.2 inches

Mounting beam

KlickTop mounting beam



151001-150

151101-150



Bottom profile

Flat roof support Profi U (30 degrees, aluminum, screwed)

Module height	a	b	c	d
about 1500 mm / 59.1 inches	1445 mm / 56.9 inches	1390 mm / 54.7 inches	960 mm / 37.8 inches	690 mm / 27.2 inches

Mounting beam

KlickTop mounting beam



151002-150

151102-150



Bottom profile

Flat roof support Profi N (30 degrees, aluminum, screwed)

Module height	a	b	c	d
about 1500 mm / 59.1 inches	1445 mm / 56.9 inches	1390 mm / 54.7 inches	960 mm / 37.8 inches	690 mm / 27.2 inches

07 series

Flex Console

Mounting beam



151001-220

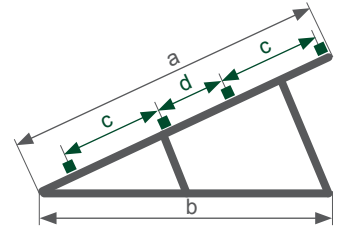
KlickTop mounting beam



151101-220



Bottom profile



Flat roof support Profi U (30 degrees, aluminum, screwed)

Module height	a	b	c	d
about 2200 mm / 86.6 inches	2200 mm / 86.6 inches	1995 mm / 78.5 inches	747 mm / 29.4 inches	460 mm / 18.1 inches

Mounting beam



151002-220

KlickTop mounting beam



151102-220



Bottom profile

Flat roof support Profi N (30 degrees, aluminum, screwed)

Module height	a	b	c	d
about 2200 mm / 86.6 inches	2200 mm / 86.6 inches	1995 mm / 78.5 inches	747 mm / 29.4 inches	460 mm / 18.1 inches

Mounting beam



155001-300

155001-320

155001-360*

KlickTop mounting beam



155101-300

155101-320

155101-360*

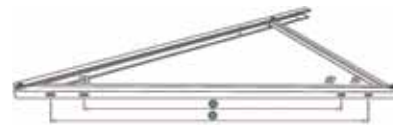


Bottom profile

Flat roof support XL (30 degrees, aluminum, screwed)

Module height	a	b	c	d
about 3000 mm / 118,1 inches	2995 mm / 117.9 inches	2765 mm / 108.9 inches	1000 mm / 39.4 inches	700 mm / 27.6 inches
about 3200 mm / 126,0 inches	3195 mm / 125.8 inches	2795 mm / 110.0 inches	about 1080 mm / 42.5 inches	733 mm / 28.9 inches
about 3600 mm / 141,7 inches	3595 mm / 141.5 inches	3495 mm / 137.6 inches	variable drill hole, a 3-rowed arrangement is possible	

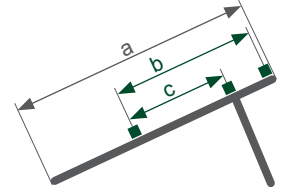
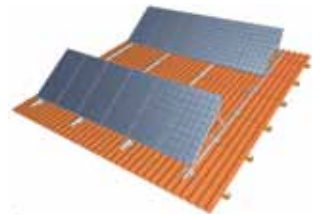
- * Special application:
- 3-row arrangement
 - 5-row arrangement of thin-film modules with linear support (please also see product sheet LaQ)
 - Measures and hole pattern according to order (see check list)



Bottom beam Hole distances	Light U07 1m		Light U07 1.3m		Light U07 1.5m		Profi U07 1.5m	
	Item no.		Item no.		Item no.		Item no.	
	150001-100		150001-130		150001-150		151001-150	
A	mm	537 +/- 8	635 +/- 8	940 +/- 8	940 +/- 8			
	inches	21.14 +/- 0.315	25 +/- 0.315	37 +/- 0.315	37 +/- 0.315			
B	mm	757 +/- 8	855 +/- 8	1160 +/- 8	1160 +/- 8			
	inches	29.8 +/- 0.315	33.66 +/- 0.315	45,67 +/- 0.315	45,67 +/- 0.315			

Support top parts to be applied with systems with continuous beams (CompactVario)

The so-called fitting kits have to be considered when systems are compiled and ordered.



07 series

Flex Console

Mounting beam



150003-000
150003-001
150003-002

KlickTop mounting beam



150103-000
150103-001
150103-002



Flat roof support Light upper part

Module height	a	b	c
about 1000 mm / 39.4 inches	965 mm / 38.0 inches	530 mm / 20.9 inches	360 mm / 14.2 inches
about 1300 mm / 51.2 inches	1195 mm / 47.0 inches	850 mm / 33.5 inches	600 mm / 23.6 inches
about 1500 mm / 59.1 inches	1445 mm / 56.9 inches	960 mm / 37.8 inches	690 mm / 27.2 inches

Mounting beam



151003-000

KlickTop mounting beam



151103-000



Flat roof support Profi upper part

Module height	a	b	c
about 1500 mm / 59.1 inches	1445 mm / 56.9 inches	960 mm / 37.8 inches	690 mm / 27.2 inches

Mounting beam



151003-001

KlickTop mounting beam

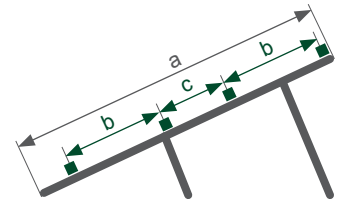


151103-001



Flat roof support Profi upper part

Module height	a	b	c
about 2200 mm / 86.6 inches	2200 mm / 86.6 inches	747 mm / 29.4 inches	460 mm / 18.1 inches



Accessories for mouning beam FlexConsole

For the fastening of the cross beam to the mounting beam, the KlickTop cross connector M8 is required.

129004-000
(430 520-m8)

KlickTop cross connector kit M8

with screw, Klick and square nut for Klick groove M8 for cross rail system Standard

➔ [GridNorm product sheet](#)



Support accessories:

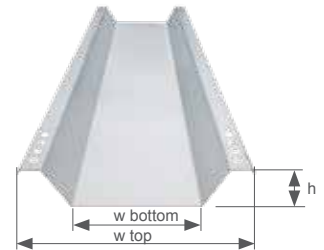
SolTub (Aluminum tray system for gravel loading)
Gravel tray standard length 2.2 m / 86.6 inches

161001-000 **SolTub S gravel tray for 36 kg per m 2.2 m (small)**
(430 755)

	w bottom	w top	h
mm	227	428	77
inches	8.9	16.9	3.0

161002-000 **SolTub L gravel tray for 92 kg per m 2.2 m (large)**
(430 756)

	332	588	130
mm			
inches	13.1	23.1	5.1

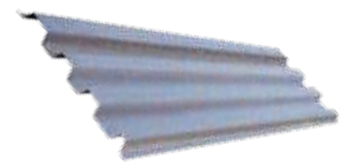


161001-001 **SolTub S end covering**
161002-001 **SolTub L end covering**

(430 77X)

Windsafe - project-specific!

Rear-wall covering for elevated photovoltaic plants for the reduction of wind loads (this component is produced specifically for individual projects and is only available on request!)

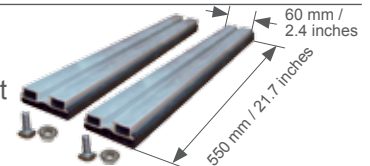


Different sizes!

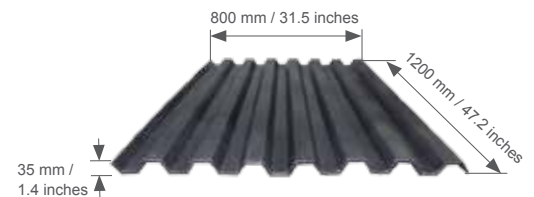
159000-150 **Tension strut 1500 mm kit diagonal bracing** Length about 1.5 m / 59.1 inches
 159000-200 **Tension strut 2000 mm kit diagonal bracing** Length about 2.0 m / 78.7 inches
 159000-250 **Tension strut 2500 mm kit diagonal bracing** Length about 2.5 m / 98.4 inches
 159000-300 **Tension strut 3000 mm kit diagonal bracing** Length about 3.0 m / 118 inches
 159000-400 **Tension strut 4000 mm kit diagonal bracing** Length about 4.0 m / 157 inches
 (430 926-...)
 Kit with self-drilling screws



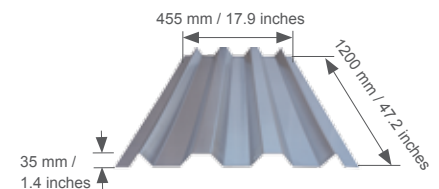
159000-007 **Concrete block loading kit, aluminum**
(430 935)
for loading with concrete curbstone or the like; pairwise incl. 2x screw set



160001-000 **SolRack plastic tray kit**
(400 939)
suitable for all support designs for loading with gravel that is already on the roof or with concrete plates.
incl. screw kit for fixation
Material thickness: 8 mm / 0.315 inches
Surface: 0.96 m²



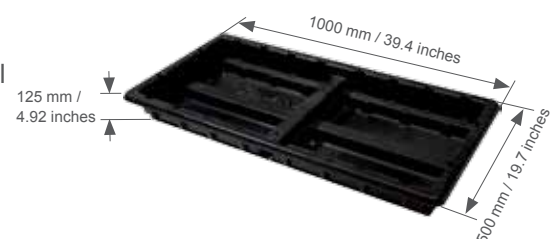
160002-001 **SolRack aluminum (1 plate)**
Material thickness: 1 mm / 0.04 inches, surface area 0.55 m²



Accessories for SolRack Alu (order 2 pieces for each plate!)

943610-025 Screw M10x25 hexagon DIN933 A2 GMB
 943922-010 Underlayment shim big M10 DIN9021 A2
 943912-010 Flange nut M10 with locking teeth DIN6923 A4

162001-000 **Sol Cube kit**
suitable for all support designs for loading with gravel that is already on the roof or with concrete plates.
Including a screw set for fastening



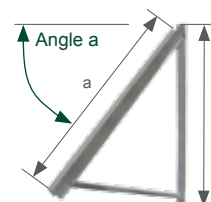
162001-001 **Sol Cube (without accessories)**

Special supports

Facade support with 15, 20, 25, [...5°-steps], 70, 75 degrees

For the selection of the support angle (angle a), please specify the module inclination to the horizontal - aluminum, screwed

		Module height	a	b
156001-100	(430903) Light 10	about 0.8-1.0 m / 31.5-39.4 inches	820 mm / 32 inches	840 mm / 33 inches
156001-130	(430904) Light 13	about 1.0-1.3 m / 39.4-51.2 inches	1050 mm / 41 inches	1050 mm / 41 inches
156001-160	(430905) Light 16	about 1.3-1.6 m / 51.2-63.0 inches	1285 mm / 50.6 inches	1260 mm / 49.6 inches
156002-160	(430906)* Profi 16	about 1.3-1.6 m / 51.2-63.0 inches	1285 mm / 50.6 inches	1260 mm / 49.6 inches



* for heavy loads

Vegetated roof support for modules up to 1.6m with 15, 20, 25, 30 degrees

Please specify the desired inclination! Aluminum, screwed

about 0.4 m / 15.75 inches clearance height

Length of the module angle: About 1.5 m / 59.06 inches

Suitable accessories: like for support Profi

- 152001-000 (430 907) **Vegetated roof support for modules up to 1.6m**
 154001-000 (430 908) **Vegetated roof support for CompactVario kit (incl. fitting kits)**



- 153001-000 (400 950) **Flat roof or bottom support VarioTop (from 10 up to 60 degrees)**
 The variable support with summer and winter setting!
 10% more annual yield by one-time re-settings in spring and autumn!



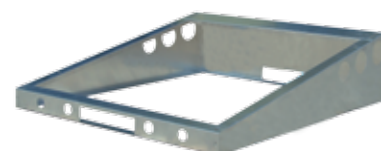
AluLight kit

The simple 12° elevation for flat roofs.

Only possible if Standard module clamps are used.

Concrete border stones are to be used for loading.

	for module width	for module length
165001-001	790- 890 mm / 31.1-35 inches	1200-1599 mm / 47.2-62.9 inches
165001-002	890- 990 mm / 35 - 39 inches	1200-1599 mm / 47.2-62.9 inches
165001-003	990-1090 mm / 39-42.9 inches	1200-1599 mm / 47.2-62.9 inches
165002-001	790- 890 mm / 31.1-35 inches	1600-2000 mm / 63-78.7 inches
165002-002	890- 990 mm / 35 - 39 inches	1600-2000 mm / 63-78.7 inches
165002-003	990-1090 mm / 39-42.9 inches	1600-2000 mm / 63-78.7 inches



Windsafe AluLight

Suitable Windsafe designs for AluLight

	for module width
169001-001	790- 890 mm / 31.1-35 inches
169001-002	890- 990 mm / 35 - 39 inches
169001-003	990-1090 mm / 39-42.9 inches



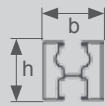
Profile series DN overview

Brochure

Double groove profiles with different spans as load distribution beams and continuous beams are available for different systems, like cross rail mounting, CompactVario, CompactGrid, for example. Can be combined optimally with the well-proven Klick-system.

Available lengths

m	inches
6	236
and customized lengths	



Mounting beam DN0

	b	h
mm	40	40
inches	1.57	1.57

123001-001 Customized cut
123001-006 6 m / 236 inches

(400 064-...)

Mechanical connection:

Top: Klick groove M10
Bottom: Screw channel M10



Mounting beam DN1

	b	h
mm	40	80
inches	1.57	3.15

123002-001 Customized cut
123002-006 6 m / 236 inches

(400 065-...)

Mechanical connection:

Top: Klick groove M10
Bottom: Screw channel M10



Mounting beam DN2.5

	b	h
mm	50	110
inches	1.97	4.33

123004-001 Customized cut
123004-006 6 m / 236 inches

(400 084-...)

Mechanical connection:

Top: Klick groove M10
Bottom: Screw channel M10



Mounting beam DN3

	b	h
mm	80	120
inches	3.15	4.72

123005-001 Customized cut
123005-006 6 m / 236 inches

(400 083-...)

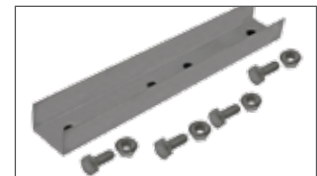
Mechanical connection:

Top: Klick groove M10
Bottom: Screw channel M10

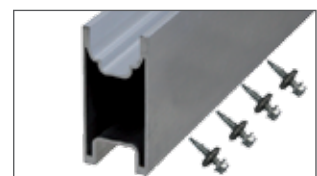


Accessories for profile series DN:

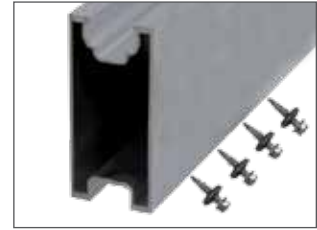
129025-000 **Connector profile DN0 DN1 kit**
(400 065-VU) including screws and nuts



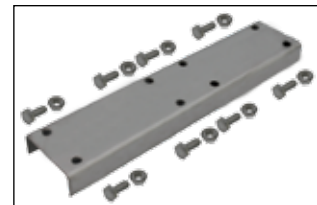
129006-000 **Insertion connector DN1 kit**
(400 065-VE) incl. safety screws



129029-000 **Insertion connector kit DN2.5**
 (400 084-VE) including safety screws



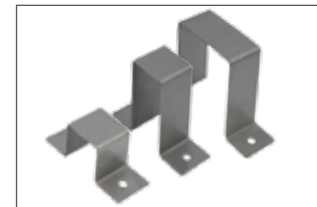
129030-000 **Connector profile kit DN3**
 including screws and nuts



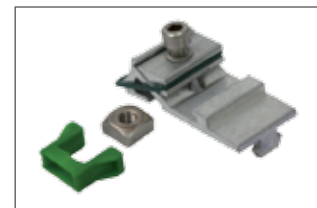
129023-000 **Dowel clamp DN0/Solo05** for special applications
 (400 064-DS)

129024-000 **Dowel clamp DN1** for special applications
 (400 065-DS)

129028-000 **Dowel clamp DN2** for special applications
 (400 082-DS)



129004-001 **KlickTop cross connector kit M10**
 (430 520-m10) with screw, Klick and square nut for Klick groove M10
 suitable for DN0 and DN1
 ➔ [GridNorm product sheet](#)



129010-001 **KlickIn click component for nut M10**
 (430 025) for a simplified insertion of the M10 square nut
 at any desired spot of the M10 KlickIn-groove



129012-010 **Proklip2000-B cable clip round duct M10**
 (498 120) round, to be snapped into the M10 screwing channel
 to optimize the cable routing



Area of application

All Schletter profile groups can be combined among each other for applications on pitched roofs, flat roofs and in open areas, as well as for the most different kinds of special systems. Chose the profile for your special case of application from our wide range in order to minimize the need for raw material.

Technical data

Material	Screws: Quality steel 1.4301; profiles: EN AW 6063 T66 / AlMg0.7Si Sheet metal components: Quality steel 1.4301
Structural analysis	Structural analysis according to the current specific national standards (in Germany DIN1055 and EC1). Attachments on the dimensioning of the number of the required fastening points based on an accordant structural calculation. By all means, consider the information on structural safety! The verification of the adhesive force of the roof to the substructure is not included in the general structural analysis attachments!

Get all system prices conveniently and swiftly with the auto-calculator on our website: www.schletter.eu

Big projects - SystemFS, PvMax3, Park@Sol, IsoTop

Brochure

Big projects are individually calculated and compiled for you in our company. We are looking forward to your inquiry.



An excerpt from our wide range of profiles

Open area - SystemFS, PvMax3

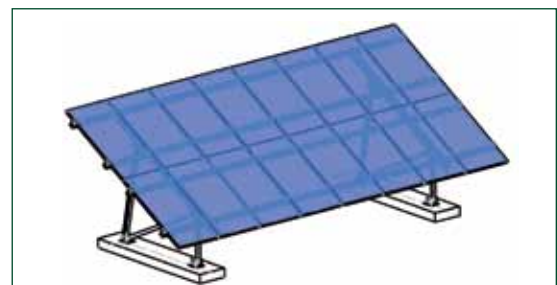
The FS open area system is planned individually for each location.

Besides the pile-driving technique that is used with the FS system, concrete foundations are available for the PvMax3 system.

➔ [Product /mounting sheets FS/PvMax3](#)



FS system

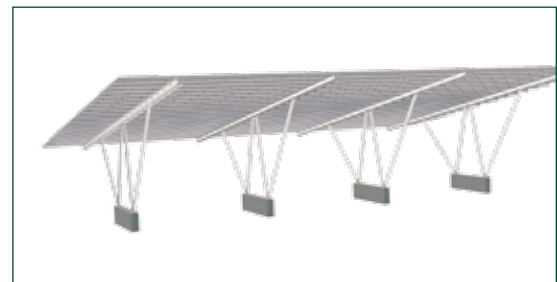


PvMax3

Carports - Park@Sol

Parking spaces with solar carports are an ideal completion for solar power generation on a large scale, as is Germany roof areas of carports get the maximum compensation for electricity fed into the grid!

➔ [Product sheet Park@Sol](#)



Park@Sol

Membrane roofs of industrial buildings – IsoTop

Membrane roofs of industrial roofs usually are made of a substructure with very wide grid spaces. The IsoTop system with support distances of up to 10 m makes project-specific solutions possible, as this system does not transmit any additional loads into the roof cladding.


➔ [IsoTop Product sheet](#)



IsoTop


Screws and accessories

Brochure


		Hexagon head screw, VA	
943608-025	(451 825)	M8x25	
943610-020		M10x20	
943610-025	(451 025)	M10x25	
943610-030	(451 030)	M10x30	
943610-035	(451 035)	M10x35	
943610-100	(451 000)	M10x100	

		Square head screw, VA	
943410-025	(451 026)	M10x25	


		Carriage bolt, VA	
943510-020	(452 020)	M10x20	
943510-025	(452 025)	M10x25	

		Flange nut with locking teeth; anti-twist device integrated in the flange, VA	
943912-008	(460 108)	M8	
943912-010	(460 110)	M10	
943912-012	(460 112)	M12	

		Hexagon nut, VA	
943916-008	(460 208)	M8	
943916-010	(460 210)	M10	
943916-012	(460 212)	M12	

		Washer, VA	
943921-008	(461 108)	8	
943921-010	(461 110)	10	
943921-012	(461 112)	12	

		Big washer, VA	
943922-008	(461 208)	M8	
943922-010	(461 210)	M10	
943922-012	(461 212)	M12	

		Socket head screw	
943308-120	(459 820)	M8x20 with serration on the bottom side of the screw head	
943308-125	(459 825)	M8x25 with serration on the bottom side of the screw head	
943308-130	(459 830)	M8x30 with serration on the bottom side of the screw head	
943308-135	(459 835)	M8x35 with serration on the bottom side of the screw head	
943308-040	(453 840)	M8x40	
943308-055	(453 855)	M8x55	
943308-060	(453 860)	M8x60	

943000-034 (400 728) **Secufix anti-theft device for socket head screw M8**
 182003-000 **Secufix steel ball for TORX T40 5.00mm (Rapid)**
 is simply driven into the screw head!



182001-000 **Drive-in device for SecuFix anti-theft device**
 182001-001 **Drive-in device for SecuFix TORX ball 5mm**



182002-000 (400 728-2) **Secufix2 anti-theft device for even better protection**
 delivered as a kit



943914-008 (460 308) **Square nut M8, V4A**
 suitable for all Schletter system profiles
 in combination with Klick-groove and "Klick" click component



943914-010 (460 310) **Square nut M10, V4A**



943914-108 (460 310-M8) **Special square nut M8, V4A** (Design like M10)
 suitable for all Schletter system profiles in combination
 with Klick-groove M10 and Klick component



943911-008 (460 408) **Self-locking nut, V4A**
 M8
 943911-010 (460 410) M10
 943911-012 (460 412) M12



943931-008 (461 308) **Lock washer, VA**
 8
 943931-010 (461 310) 10
 943931-108 (461 408) 8 extra narrow



Self-tapping thread screw
for steel up to 2mm
 943765-050 (462 210) 6.5x50
 943765-075 (462 212) 6.5x75
 943765-100 (462 214) 6.5x100
 943765-125 (462 216) 6.5x125
 943765-150 (462 218) 6.5x150
 943765-200 (462 220) 6.5x200



for steel starting from 1.5mm
 943718-064 (462 512) 8x64
 943718-100 (462 514) 8x100
 943718-125 (462 516) 8x125 - on request
 943718-150 (462 518) 8x150
 943718-200 (462 520) 8x200 - on request

Wood screw

We recommend at least 80mm for unboarded roofs, and at least 120mm for roofs with boarding and counter battens!

943108-080	(456 080)
943108-100	(456 100)
943108-120	(456 120)
943108-150	(456 150)
943108-200	(456 200)

Wood screw VA

8x80
8x100
8x120
8x150
8x200



942108-080	(455 080)
942108-100	(455 100)
942108-120	(455 120)
942108-150	(455 150)
942108-200	(455 200)

Galvanized wood screw

8x80
8x100
8x120
8x150
8x200



195000-002	(457 001)
------------	-----------

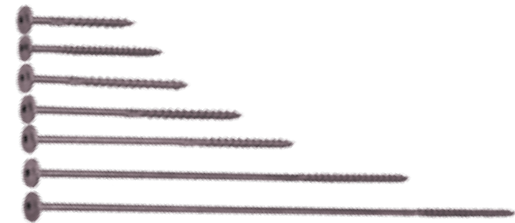
Torx T40-bit for wood screws with washer head
suitable for **Rapid²⁺** and newer systems



943208-080	(458 080)
943208-100	(458 100)
943208-120	(458 120)
943208-160	(458 160)
943208-200	(458 200)
943208-240	
943208-260	
943208-300	(458 300)
943208-340	
943208-360	
943208-400	(458 400)

Wood screw with washer head VA 1.4301

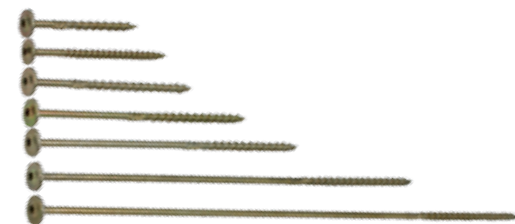
8x80
8x100
8x120
8x160
8x200
8x240
8x260
8x300
8x340
8x360
8x400



942208-080	(457 080)
942208-100	(457 100)
942208-120	(457 120)
942208-160	(457 160)
942208-200	(457 200)
942208-240	
942208-260	
942208-300	(457 300)
942208-340	
942208-360	
942208-400	(457 400)

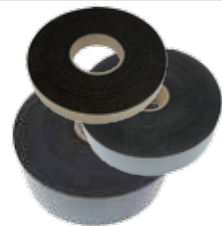
Galvanized wood screw with washer head

8x80
8x100
8x120
8x160
8x200
8x240
8x260
8x300
8x340
8x360
8x400



973000-013	(400 750-25)
973000-014	(400 750-48)
973000-015	(400 750-80)

EPDM-rubber inlay 3mm self-adhesive,
10m-roll, UV-resistant, for example for clamps for
trapezoidal sheet metal or for laminate modules.



195000-001	(400873-SL)
------------	-------------

Ratchet wrench SW15
suitable for flange nut M10



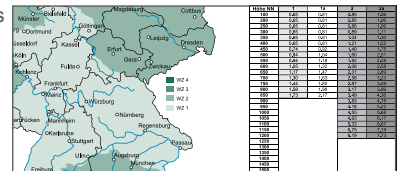
1400001

Brochure (the current version in each case)
Mounting and project planning



1400079
1400080

Structural analysis of the system - Basic version for pitched roofs
Structural analysis of the system - Basic version for flat roofs
Structural analysis of the system - Complete version with all attachments (on payment of a nominal charge)



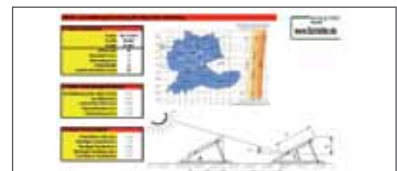
400 620

Auto-calculator support program
with all current price lists, available in 5 languages



400 621

Shade calculation support program
for flat roofs



400 630

Information CD featuring documents and product pictures
on request



400 650

Module stand
Module stand with metal base and wooden supports including a fastening kit for one module.
Please specify your module type!



400 652-S
400 652-Iso
400 652-FS
400 652-KV

Trade fair stand, about 1x2m, rollable
"Standard systems"
"IsoTop system for roofs of industrial buildings"
"FS open area system"
"Compact Vario"



400 651-1

Sample case
containing essential product samples of the Schletter mounting systems



Item numbers - an overview of the changes

OLD	NEW	OLD	NEW	OLD	NEW	OLD	NEW
400026	129026-000	400285-xx	136101-035	400752-10-160	943810-160	400893-2	109006-002
400028-M	129001-001	400285-xx	136101-036	400752-10-200	943810-200	400893-5	109006-005
400028-O	129001-000	400285-xx	136101-038	400752-12-200	943812-200	400894-2	109007-002
400064-6	123001-006	400285-xx	136101-040	400752-12-300	943812-300	400894-5	109007-005
400064-DS	129023-000	400285-xx	136101-042	400752-12-350	943812-350	400896	109009-002
400064-M	123001-001	400285-xx	136101-044	400752-12-400	943812-400	400896-1000	925120-001
400065-6	123002-006	400285-xx	136101-045	400753-10-200	110010-200	400896-1000	925120-002
400065-DS	129024-000	400285-xx	136101-046	400753-12-200	110012-200	400896-W	109010-000
400065-M	123002-001	400285-xx	136101-048	400753-12-300	110012-300	400939	160001-000
400065-VE	129006-000	400285-xx	136101-050	400753-12-350	110012-350	400939-O	160001-001
400065-VU	129025-000	400285-xx	136101-051	400753-12-400	110012-400	430010-4	120003-004
400082-DS	129028-000	400285-xx	136101-052	400754	119002-000	430010-6	120003-006
400082-M	123003-001	400288-M12	136202-012	400754-D	119003-000	430010-M	120003-001
400082-VU	129027-000	400288-M22	136202-022	400755	973000-002	430015-4	120004-004
400083-DS	129031-000	400289-xx	136004-001	400830	100001-000	430015-6	120004-006
400083-M	123005-001	400290	129032-000	400830K	100001-001	430015-M	120004-001
400083-VU	129030-000	400292G	973000-005	400840	102001-000	430020-6	129007-006
400084-6	123004-006	400296-m14	132202-914	400841	102001-001	430020-M	129007-001
400084-M	123004-001	400296-m8	132202-308	400850	103001-001	430021-6	129008-006
400084-VE	129029-000	400297-M14	132101-914	400851	103001-002	430021-M	129008-001
400085-6	124201-006	400297-M8	132101-308	400852	103011-000	430022-6	129009-006
400085-8	124201-008	400298-m14	132102-914	400852-P	979000-001	430022-M	129009-001
400085-M	124201-001	400298-m8	132102-308	400853	103012-000	430023-M	129003-001
400085-VE	129020-000	400293	129033-000	400853-P	979000-002	430023-o	129003-000
400086-4	121001-004	400294	129034-000	400854	103011-001	430024	129010-008
400086-6	121001-006	400295	132001-000	400855	103012-001	430024-W	129010-108
400086-M	121001-001	400295-m14	132201-914	400870	109001-000	430025	129010-001
400086-V	129019-000	400295-m8	132201-308	400871	109002-000	430027-M	129002-001
400087-4	121002-004	400296	132003-000	400872	100002-000	430027-o	129002-000
400087-6	121002-006	400297	132002-002	400872-006-2	973000-017	430028	129011-000
400087-M	121002-001	400298	132004-000	400872-006-5	973000-018	430030-001	979000-004
400090-6	124202-006	400299	129035-000	400872-135	100004-000	430030-O	135001-001
400090-8	124202-008	400420-o	130001-020	400872-135-130	100005-000	430031-O	135001-000
400090-M	124202-001	400424-o	130001-024	400872-145	100112-000	430035	135003-000
400090-VE	129021-000	400428-o	130001-028	400872-165	100007-000	430035-PROFIL	911000-003
400091-6	124203-006	400430-o	130001-030	400872-195	100008-000	430036	135004-000
400091-8	124203-008	400432-o	130001-032	400872-35	100006-000	430070-4	120002-004
400091-M	124203-001	400434-o	130001-034	400872-R	100004-002	430070-6	120002-006
400091-VE	129022-000	400435-o	130001-035	400872-V	100003-000	430070-6200	120002-100
400230-o	130002-001	400436-o	130001-036	400872K135	100004-001	430070-M	120002-001
400231-o	130002-000	400438-o	130001-038	400872K145	100112-001	430071-4	120001-004
400231-o	911000-139	400440-o	130001-040	400873	113001-000	430071-6	120001-006
400240-G	139001-000	400442-o	130001-042	400873-G	113001-001	430071-M	120001-001
400242-G2007	973000-022	400443-o	130001-043	400873-M	943000-111	430201	129013-000
400253	133240-040	400444-o	130001-044	400873-ML	119009-000	430202	129013-001
400253-EPDM	973000-009	400445-o	130001-045	400873-SL	195000-001	430211	129014-000
400253-m4	133240-140	400446-o	130001-046	400873K	113002-000	430212	129014-001
400254	133140-040	400448-o	130001-048	400873K-B	943000-110	430213	129014-003
400254-A	911000-166	400450-o	130001-050	400873K-G	113002-001	430214	129014-004
400254-m4	133140-140	400451-o	130001-051	400874	109003-000	430215	129014-002
400255	133280-080	400503	112001-000	400875	109004-000	430216	129014-005
400255-EPDM	973000-011	400504-10-200	111010-200	400876	100009-000	430221	129015-000
400255-m8	133280-180	400504-10D200	111210-200	400876K	100009-001	430222	129016-000
400256	133180-080	400504-12-200	111012-200	400877-1	111006-000	430223	129016-001
400256-A	911000-002	400504-12-300	111012-300	400877-2	111007-000	430224	129017-000
400256-m8	133180-180	400504-12D200	111212-200	400877-3	111008-000	430225	129017-001
400257	133260-068	400504-12D300	111212-300	400877-D	119005-000	430225	129017-003
400257-G	973000-010	400510	112002-000	400878-1	113004-000	430227	129017-002
400257-m6	133260-168	400520	112003-000	400878-2	113005-000	430231	129018-000
400257-UB	139004-000	400522-A	112004-000	400878-3	113006-000	430232	129018-001
400257XX	133206-068	400524	112006-000	400878-4	113007-000	430233	129018-002
400258	133160-068	400525	112007-000	400878-5	113008-000	430234	129018-003
400258-m6	133160-168	400590	109005-000	400878-D10	119006-000	430251-6	134060-068
400280-6	122001-006	400591	109005-001	400878-D12	119007-000	430251-8	134080-080
400280-M	122001-001	400651-1	195000-004	400878-DS	973000-016	430251-m6	134060-168
400284-40	136201-040	400652-S	1400150DE	400878-H16	119003-001	430251-m8	134080-180
400284-52	136201-052	400652-S	1400150GB	400878-H20	119004-001	430440	139008-000
400284-6	122002-006	400728	943000-034	400879-12-200	114001-000	430441	139008-001
400285-xx	136101-030	400750-25	973000-013	400879-12-300	114002-000	430501	109008-000
400285-xx	136101-032	400750-48	973000-014	400879-D	973000-004	430504	119001-000
400285-xx	136101-034	400750-80	973000-015	400879-DS	114003-000	430504-10-200	111110-200

OLD	NEW
430504-12-200	111112-200
430504-12-300	111112-300
430520-G	973000-001
430520-M10	129004-001
430520-M8	129004-000
430755	161001-000
430756	161002-000
430757	161001-001
430758	161002-001
430780-250-2200	164000-000
430780-500-2200	164000-001
430800	101001-000
430800-001	943000-005
430801	101001-001
430802	101002-000
430803	101003-000
430804	101004-000
430805	101005-000
430806	101006-000
430810	131003-000
430811	131003-001
430812	131002-000
430813	131002-001
430820	135002-000
430821	135002-001
430828	131001-028
430829	131001-029
430830	131001-030
430831	131001-031
430832	131001-032
430833	131001-033
430834	131001-034
430835	131001-035
430836	131001-036
430837	131001-037
430838	131001-038
430839	131001-039
430840	131001-040
430841	131001-041
430842	131001-042
430843	131001-043
430844	131001-044
430845	131001-045
430846	131001-046
430847	131001-047
430848	131001-048
430849	131001-049
430850	131001-050
430870	100010-000
430870-001-2	973000-019
430870-001-5	973000-020
430870K	100010-001
430871	100011-000
430871K	100011-001
430879-10-200	114003-001
430879-12-200	114001-001
430879-12-300	114002-001
430901	159000-001
430902	973000-003
430903	156001-100
430904	156001-130
430905	156001-160
430906	156002-160
430907	152001-000
430908	154001-000
430911	150001-100
430912	150001-130
430913	150001-150
430920-G	911000-158
430921	150002-100
430922	150002-130

OLD	NEW
430923	150002-150
430926-1500	159000-150
430926-2000	159000-200
430926-2500	159000-250
430926-3000	159000-300
430926-4000	159000-400
430931	150003-000
430932	150003-001
430933	150003-002
430935	159000-007
430935-2	973000-006
430941	151001-150
430942	151001-220
430951	151002-150
430952	151002-220
430961	151003-000
430962	151003-001
440120-8	124500-008
440120-M	124500-001
440121-6	124501-006
440121-8	124501-008
440121-M	124501-001
440122-6	124502-006
440122-8	124502-008
440122-M	124502-001
440123-6	124503-006
440123-8	124503-008
440123-M	124503-001
440130-6	124300-006
440130-8	124300-008
440130-M	124300-001
440131-6	124302-006
440131-8	124302-008
440131-M	124302-001
440132-6	124304-006
440132-8	124304-008
440132-M	124304-001
440133-6	124305-006
440133-8	124305-008
440133-M	124305-001
440134-6	124306-006
440134-8	124306-008
440134-M	124306-001
440135-6	124301-006
440135-8	124301-008
440135-M	124301-001
440136-6	124303-006
440136-8	124303-008
440136-M	124303-001
440190-6	124700-006
440190-8	124700-008
440190-M	124700-001
440191-6	124701-006
440191-8	124701-008
440191-M	124701-001
440213	911000-001
440500-6	124401-006
440500-8	124401-008
440500-M	124401-001
440501-6	124403-006
440501-8	124403-008
440501-M	124403-001
440502-6	124407-006
440502-8	124407-008
440502-M	124407-001
440503-6	124405-006
440503-8	124405-008
440503-M	124405-001
440510-6	124400-006
440510-8	124400-008
440510-M	124400-001

OLD	NEW
440511-6	124402-006
440511-8	124402-008
440511-M	124402-001
440512-6	124406-006
440512-8	124406-008
440512-M	124406-001
440513-6	124404-006
440513-8	124404-008
440513-M	124404-001
440520-6	124600-006
440520-8	124600-008
440520-M	124600-001
440520-VE	911000-173
440835	973000-021
445091	161003-000
450835	943608-035
451000	943610-100
451012-120	943612-120
451016	943610-016
451020	943610-020
451025	943610-025
451026	943410-025
451030	943610-030
451035	943610-035
451080	943610-080
451090	943610-090
451211	943612-100
451280	943612-080
451616	943616-160
452020	943510-020
452025	943510-025
453820	943308-020
453825	943308-025
453830	943308-030
453835	943308-035
453840	943308-040
453855	943308-055
453860	943308-060
454840	943000-105
454845	943000-103
454850	943000-049
454860	943000-066
454870	943000-067
455080	942108-080
455100	942108-100
455120	942108-120
455150	942108-150
455200	942108-200
456008-060	943108-060
456080	943108-080
456100	943108-100
456120	943108-120
456150	943108-150
456200	943108-200
457000	195000-003
457001	195000-002
457080	942208-080
457100	942208-100
457120	942208-120
457160	942208-160
457200	942208-200
457300	942208-300
457400	942208-400
458080	943208-080
458100	943208-100
458120	943208-120
458160	943208-160
458200	943208-200
458240	943208-240
458260	943208-260
458300	943208-300

OLD	NEW
458340	943208-340
458360	943208-360
458400	943208-400
459820	943308-120
459825	943308-125
459830	943308-130
459835	943308-135
460108	943912-008
460110	943912-010
460112	943912-012
460208	943916-008
460210	943916-010
460212	943916-012
460308	943914-008
460310	943914-010
460310-M8	943914-108
460408	943911-008
460410	943911-010
460412	943911-012
460508	943917-008
460901	943000-065
461108	943921-008
461110	943921-010
461112	943921-012
461208	943922-008
461210	943922-010
461211	943000-001
461212	943922-012
461308	943931-008
461310	943931-010
461408	943931-108
462150	943706-025
462163	943755-025
462210	943765-050
462212	943765-075
462214	943765-100
462216	943765-125
462218	943765-150
462220	943765-200
462412	943708-064
462414	943708-100
462416	943708-125
462418	943708-150
462420	943708-200
462512	943718-064
462514	943718-100
462516	943718-125
462518	943718-150
462520	943718-200
463008-025	943000-007
463008-035	943000-003
464008-044	943000-009
464008-055	943000-010
479010-40	911000-170
481100	109011-000
497400	129036-000
497480	139005-000
497481	139006-000
497482	139006-001
497483	139007-000
497484	139007-001
498040	973000-007
498110	129012-002
498111	129012-008
498114	129005-000
498120	129012-010



Schletter GmbH
Alustraße 1
83527 Kirchdorf/Haag in OB,
GERMANY
www.schletter.eu

How to contact us



Sales and distribution
Phone: +49 8072 9191 – 480
Fax: +49 8072 9191 – 9480
E-mail: vertriebsinnendienst@schletter.de

Technical advice and inquiries
Phone: +49 8072 9191 – 201
Fax: +49 8072 9191 – 9201
E-mail: anfragen@schletter.de

Order processing
Phone: +49 8072 9191 – 205
Fax: +49 8072 9191 – 9205
E-mail: bestellung@schletter.de

Logistics service
Phone: +49 8072 9191 – 206
Fax: +49 8072 9191 – 9206
E-mail: service@schletter.de

Training information
Phone: +49 8072 9191 – 209
Fax: +49 8072 9191 – 9209
E-mail: seminar@schletter.de

For a comprehensive and competent consulting in the planning of your plant and for questions concerning logistics and order processing, our members of staff are available from Monday to Friday from 7 am to 5 pm.

updated 03/2011 • subject to change without notice